

	cerasonar 4080 sub <small>(1256)</small>	cerasonar 6280 sub <small>(1266)</small>	cerasonar 62200 sub <small>(1267)</small>
Power rating	150 w RMS (300 w max) or 2x 75 w RMS (150 w max)	250 w RMS (500 w max) or 2x 125 w RMS (250 w max)	1000 w RMS (2000 w max) or 2x 500 w RMS (1000 w max)
Impedance	4 ohms or 2x 8 ohms	4 ohms or 2x 8 ohms	4 ohms or 2x 8 ohms
Frequency range	35 - 150 hz* / **	25 - 150 hz* / **	25 - 150 hz*
Frequency range with cs-500dsp4	30 - 150 hz* / **	20 - 150 hz* / **	20 - 150 hz*
max SPL	103 db @ 50 Hz	105 dB @ 35 Hz	122 dB @ 30 Hz
Dispersion range	hemispheric	hemispheric	hemispheric
Single stereo mode	yes	yes	yes
for humid environments	no	no	no
Drywall	1- or 2- layered 12,5 mm plasterboard	1- or 2- layered 12,5 mm plasterboard	1- or 2- layered 12,5 mm plasterboard
Installation cut out	34,5 x 74,5 cm	56,5 x 74,5 cm	56,5 x 194,5 cm
Vent	no vent	no vent	2,8 x 52,2 cm
Dimensions	40,0 x 80,0 x 9,3 cm	62,0 x 80,0 x 11,2 cm	62,0 x 200,0 x 20,0 cm
Weight	9,3 kg	12,4 kg	very heavy :)
Accessories	transformer 100v - 50w <small>(1204)</small> cs-500dsp4 amp <small>(1206)</small> cs-2000dsp4 amp <small>(1202)</small> installation frame 4080 <small>(1297)</small> placeholder 4080 <small>(1312)</small>	cs-500dsp4 amp <small>(1206)</small> cs-2000dsp4 amp <small>(1202)</small> installation frame 6280 <small>(1299)</small>	cs-2000dsp4 amp <small>(1202)</small>
DSP Presets <small>(SUB)</small>	yes	yes	yes
Protection <small>(INBUILT / PROTECTION UNIT / DSP PRESET)</small>	no / no / yes	no / no / yes	no / no / yes

Scan the QR code with your telephone to show the cerasonar installation video



All cerasonar loudspeakers and subwoofers with conventional woofer drivers (except cerasonar architect sub) require a high-quality substructure to ensure the best performance possible.

We recommend the use of wooden studs. The wall or ceiling should be planked in two layers, the first of which is OSB 12-21 mm.

* depending on installation situation
** we recommend min. 100 litres installation volume

The perfect complement to our speakers

The cerasonar subwoofers are the perfect complement to our speakers. The **cerasonar 4080 sub** is characterised by its compact form factor and powerful bass performance. It is driven by two 8-inch woofers, specially developed in-house, known for their high power handling and excellent impulse response. The 4080 sub is therefore ideal as an extension in stereo or multiroom systems to enhance bass reproduction.

The **cerasonar 6280 sub** is the larger sibling of the cerasonar 4080 sub. It is perfect as a home cinema subwoofer or for demanding music playback with extremely low frequencies (especially electronic music).

cerasonar subwoofer

the perfect complement to our speakers

Thanks to the long-throw 12-inch driver with dual voice coils, it is highly durable and delivers high SPL at low frequencies. The sandwich flat composite cone ensures distortion-free reproduction even at high excursions due to its rigidity and internal damping. As a result, the 6280 subwoofer is the ideal and most powerful completely invisible subwoofer in our range.

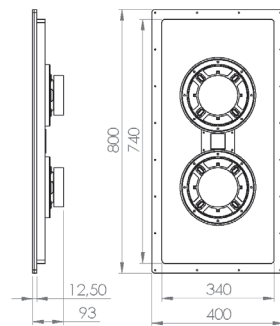
With the new **cerasonar 62200 sub**, we have once again set a new standard for top-quality invisible bass reproduction. It is driven by four 12-inch drivers and already includes an integrated backbox. Please note that this subwoofer is extremely powerful and requires an excellent, absolutely vibration- and resonance-free substructure.



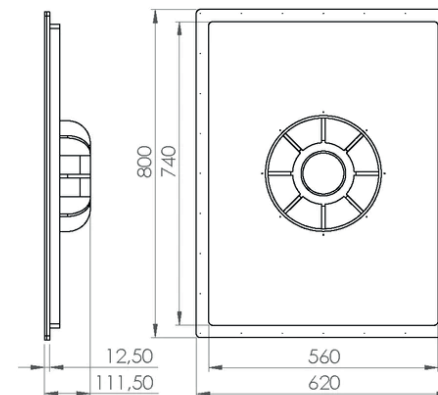
cerasonar 4080 sub



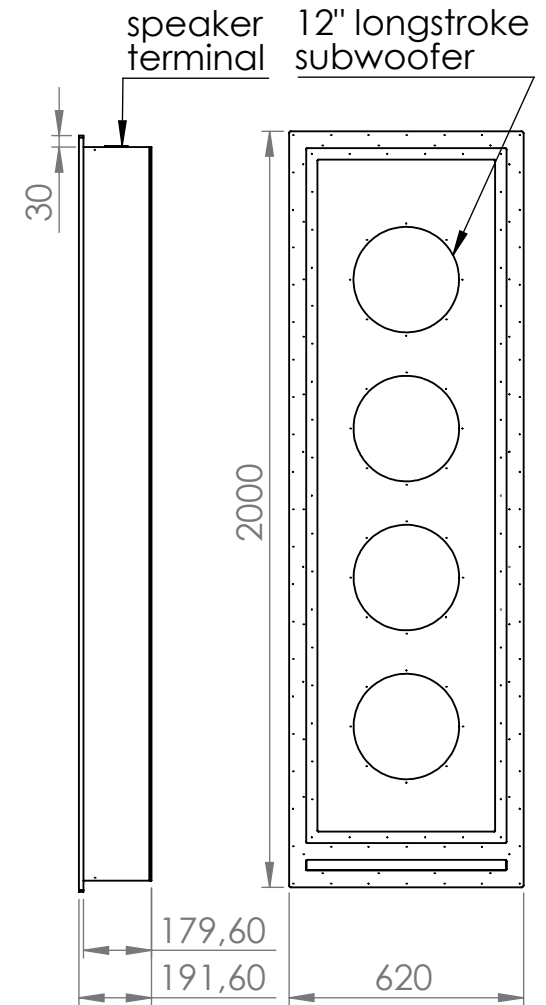
cerasonar 6280 sub



CAD - cerasonar 4080 sub



CAD - cerasonar 6280 sub



CAD - cerasonar 62200 sub