

In-Wall Touchscreen Wall Box—Retrofit Installation Guide

Introduction

This wall box kit provides a wall box (back box) to accommodate the installation of in-wall touchscreens. The kit is intended for retrofit where drywall is in place.

Supported touchscreen models

- C4-T4IW8-BL 8" T4 In-Wall Touchscreen, Black
- C4-T4IW8-WH 8" T4 In-Wall Touchscreen, White
- C4-T4IW10-BL 10" T4 In-Wall Touchscreen, Black
- C4-T4IW10-WH 10" T4 In-Wall Touchscreen, White

Also supports these legacy touchscreens:

- C4-WALL7 T3-7 7" In-Wall Touchscreen
- C4-WALL10 T3-10 10" In-Wall Touchscreen
- C4-TSWMC5-EG 5" In-Wall Touchscreen
- C4-TSWMC7-EG 7" In-Wall Touchscreen
- C4-TW7CO 7" In-Wall Touchscreen with Camera
- For more installation instructions specific to legacy touchscreens, see earlier versions of this guide.

Box contents

The following items are included in the kit:

- In-Wall Touchscreen Wall Box - Retrofit
- Plastic wall boxes include two screws. Metal wall boxes include four screws (2 short, 2 long)
- Mylar wall templates (T3, T4)
- Ferrite clamps: two rectangular, one round

Tools needed

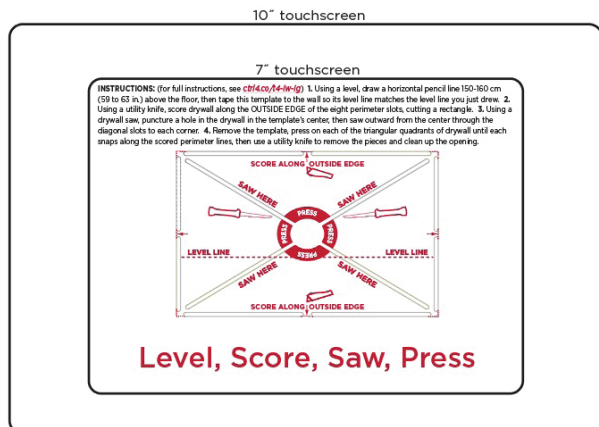
Tools to cut the drywall and install the wall box, such as:

- Stud finder and pencil
- Tape measure and level
- Utility knife (with a *sharp* blade) and drywall saw
- Phillips-head screwdriver

Warning! Before you install the wall box, ensure that you've turned off the power to the wires that will be attached to the box.

Attention! Avant d'installer le boîtier arrière, assurez vous d'avoir désactivé le pouvoir sur les fils qui seront attachées à la boîte.

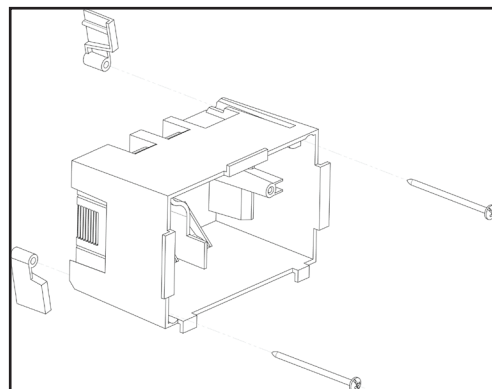
- Template



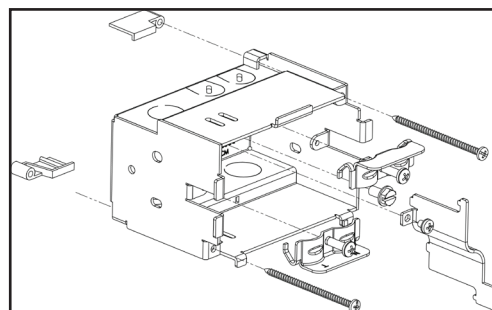
Wall box models

Note: Install the wall box flush with the wall.
Wall box dimensions: 68 x 104 x 61 mm (2.7 x 4.1 x 2.4").

- C4-RWB57C-P (plastic model)



- C4-RWB57C-M Metal Model

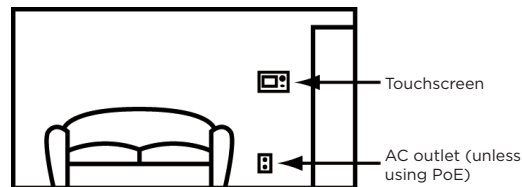


Installing the wall box

Note: If the drywall is not in place, use one of the kits intended for new construction (C4-NWB57C-P or C4-NWB57C-M). For more information, visit the product pages at ctrl4.co/boxretrop and ctrl4.co/boxretrom.

To install this wall box:

- 1 Find an appropriate wall box location for the touchscreen you are installing:
 - The wall box should be in a convenient location, for example, near the entrance of a room.
 - The wall box should be at eye level, about 57 to 61 inches (about 1.5 meters) from the floor.



- When using Ethernet or PoE, the wall box should be near a location where an Ethernet Cat 5/6 cable is pulled.
- When using AC power, position the wall box above or near an AC power source, such as an AC outlet.

Note: Place the wall box between studs. Do not attempt to install a wall box in front of a wall stud.

- 2 Measure from the floor up to the desired height of the bottom of the device (57 to 61 inches, or about 1.5 meters) and lightly mark the wall with a pencil. Using a level, extend the mark into a light horizontal line that's several inches long.
- 3 Position the template's level line parallel to or covering the horizontal line you drew in Step 2, then carefully tape it into place. This marks the location of the wall box.
- 4 Using your utility knife, in the template cut along the perimeter slots that represent the rectangular box:

- a **Caution:** Cut along the outer edge of each slot for a plastic wall box, and along the inner edge of each slot for a metal wall box.
- b Cut through the outer paper of the drywall completely and into the chalk beneath it. Pay attention to the following when cutting:
 - Use a knife with a sharp blade. If the blade is not sharp enough, the outer paper of the drywall may tear.
 - Try using light scores first to eliminate damaging the drywall.
 - Be as precise as possible. So that the box sits correctly inside the wall, create a hole the correct size for the box.
- 5 Using a drywall saw (keyhole type), puncture a hole through the drywall in the center hole of the template.

Note: Puncture the outer paper of the drywall with the saw's point. While continuing to push gently, rock the saw forward and back until it penetrates the drywall. You do not need to push very hard.

- 6 Saw through the template's diagonal slots to each corner of the perimeter you cut in Step 4.

Warning! Do not cut any wires that may already be inside the drywall.

Attention ! Ne pas couper les fils qui peuvent être à l'intérieur de la cloison sèche déjà.

- 7 Remove the template from the wall.
- 8 One at a time, use your thumb to push on each of the triangular drywall quadrants until the drywall snaps along the line you scored around the perimeter in Step 4.
- 9 Using your utility knife, cut loose the remaining paper on the back side of each of the drywall quadrants, and remove the quadrant from the opening.
- 10 Clean up any rough edges on the opening using a drywall saw or utility knife.

Important: Enlarge the opening *only* if necessary to fit the wall box.

- 11 Pull the network cable through a knockout tab on the left side of the box.

Note: The left (low-voltage) and right (high-voltage) sides of the wall box are separated by a barrier. Low-voltage connections must be pulled through a knockout on the left side, and high-voltage on the right.

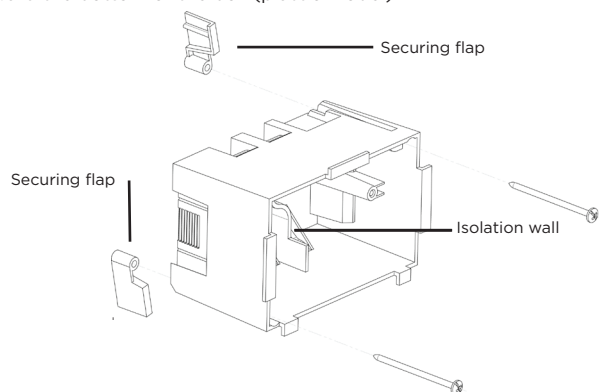
- 12 Pull the AC power cables (if used) through a knockout tab on the right side.

Caution: Use only 14 AWG wire for AC connections. For supply connections, use wires suitable for at least 60 °C (140 °F).

- 13 With the wall box right-side up as indicated by the label on the inside of the wall box, hold the securing flaps flush against the wall box and carefully place the wall box into the opening you created in the wall.

Tip: Before installing the wall box into the wall, tighten the securing flaps down once, then back out the screws. This makes it easier to thoroughly tighten the securing flaps after you've inserted the box into the wall.

Note: When the box is right-side-up, the isolation wall will be slightly offset toward the bottom of the box (plastic model).



- 14 After you've placed the wall box inside the wall, lightly tighten the screws that pull the securing flaps. As you tighten the screws, the flaps will cinch to the box and to the inside of the drywall. With the flanges on the front rim of the wall box, hold it in place on the outside of the drywall.

Important: In the metal wall box kit, the two longer screws are for use with the T4, the shorter for use with the T3.

Note: Do not tighten the screws at this point. Secure the wall box only to the degree that it stays in place within the wall's opening.

- 15 If you are using the metal box model, attach the ground wire to the wall box in the location indicated by the ground symbol. ⊕

Warning! Failure to ground the metal wall box properly results in a potentially hazardous condition.

Attention ! Défaut à la terre de la boîte de métal convenablement résulte en une situation potentiellement dangereuse.

- 16 Finish tightening the screws that attach the securing flaps, and cinch the wall box more tightly to the wall.

Caution: Do not overtighten. Overtightening the securing flaps may damage the drywall and undermine its ability to keep the wall box properly in place, or it may strip the plastic securing flaps and decrease their effectiveness.

Additional resources

The following resources are available for additional support.

- Knowledgebase and forums in Technician Community
- Technical Support
- Control4 website: www.control4.com
- Composer documentation in its online help.

Warranty and legal notices

Find details of this product's 2-Year Limited Warranty at snapav.com/warranty, or request a paper copy from Customer Service at (866) 424-4489. Find other legal resources, such as regulatory notices and patent information, at snapav.com/legal.

More help

For the latest version of this document, open this URL or scan the QR code on a device that can view PDFs.

LATEST VERSION OF THIS DOCUMENT



T4 IN-WALL TOUCHSCREEN INSTALL GUIDE



Control 4

control4.com | 888.400.4070

Copyright ©2020, Wirepath Home Systems, LLC. All rights reserved. Control4 and Snap AV and their respective logos are registered trademarks or trademarks of Wirepath Home Systems, LLC, dba "Control4" and/or dba "SnapAV" in the United States and/or other countries. Snap AV and Wirepath are also registered trademarks or trademarks of Wirepath Home Systems, LLC. Other names and brands may be claimed as the property of their respective owners. All specifications subject to change without notice.