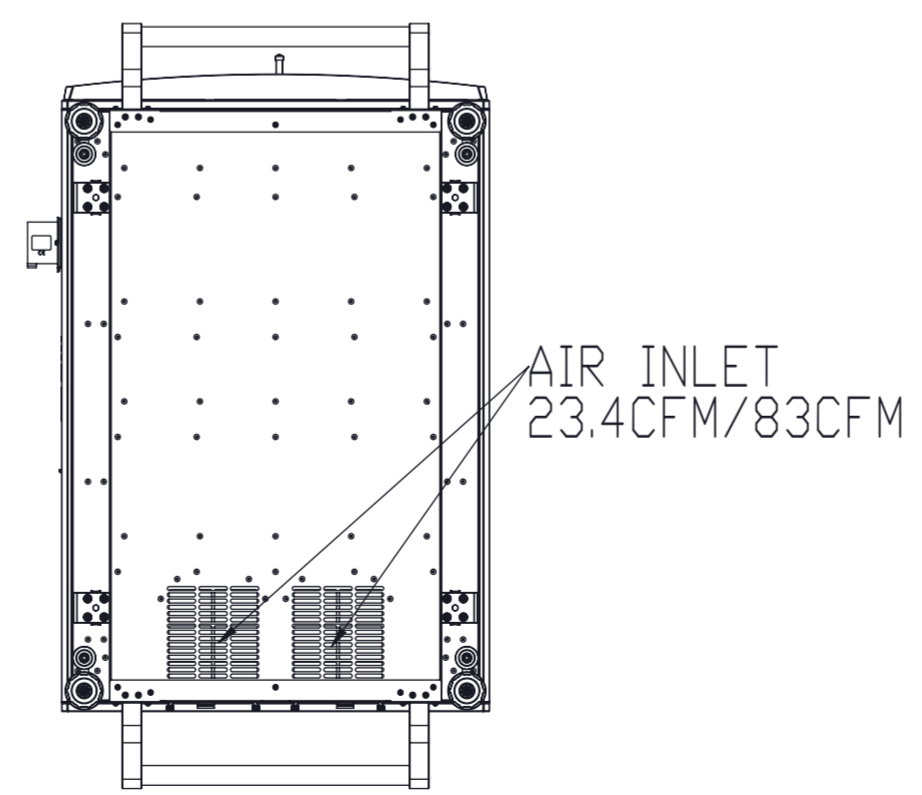
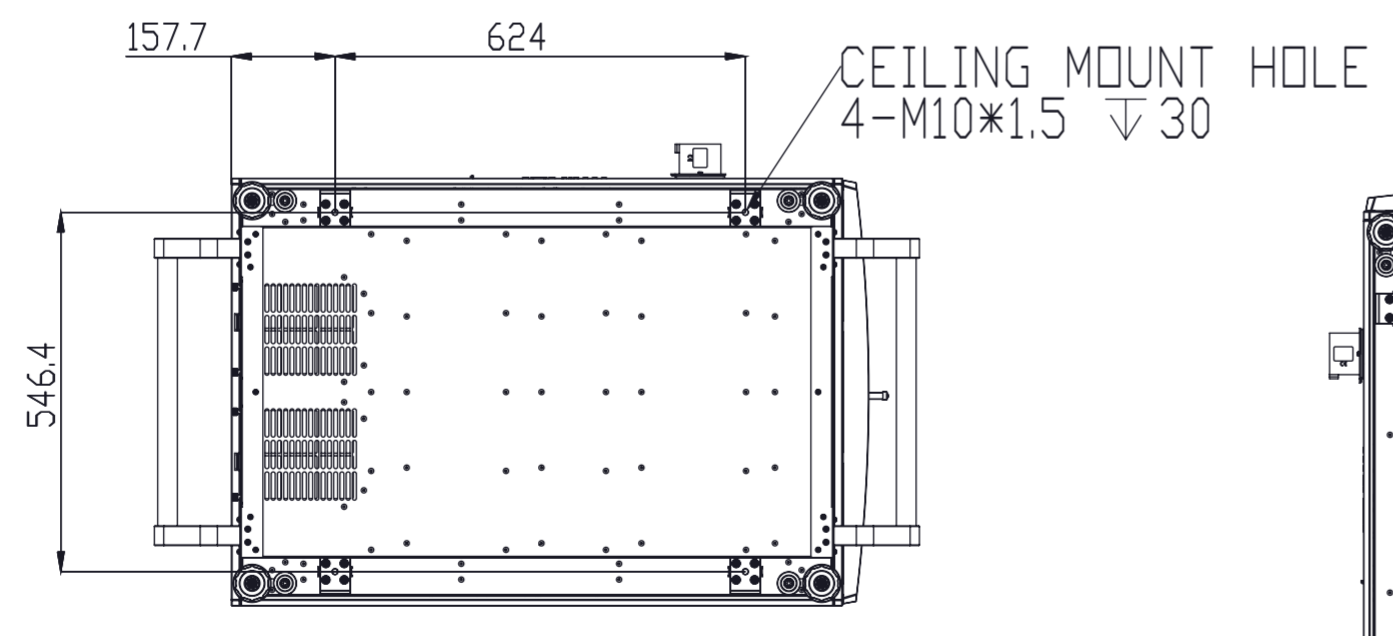
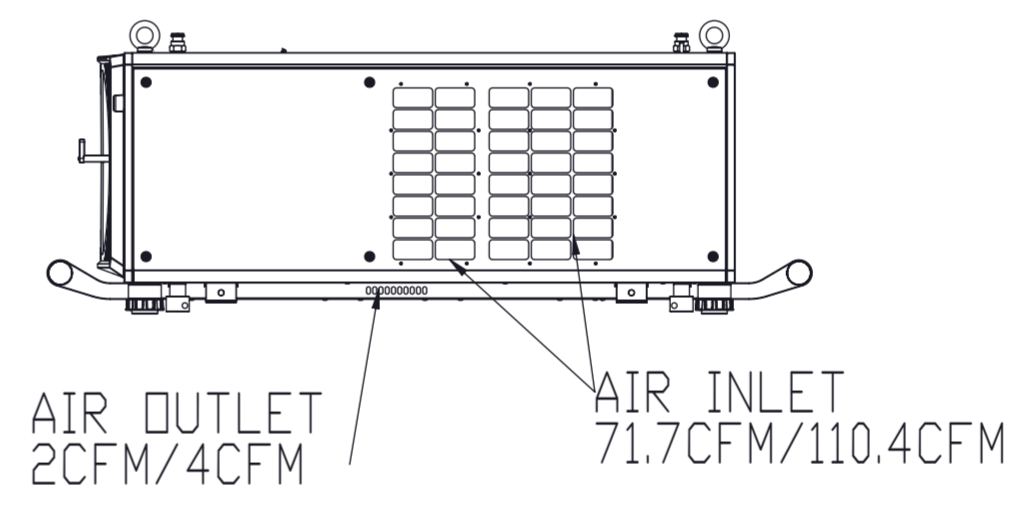
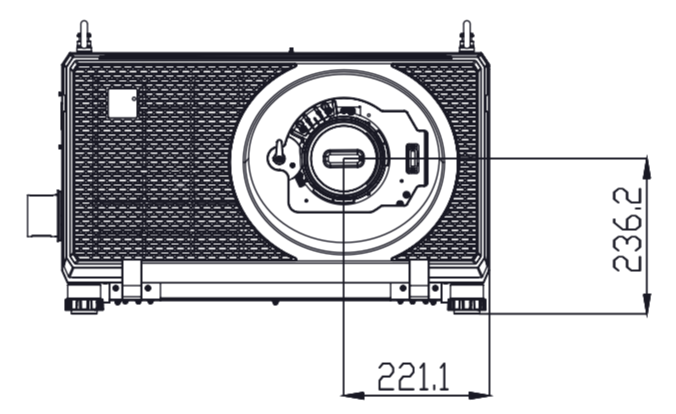
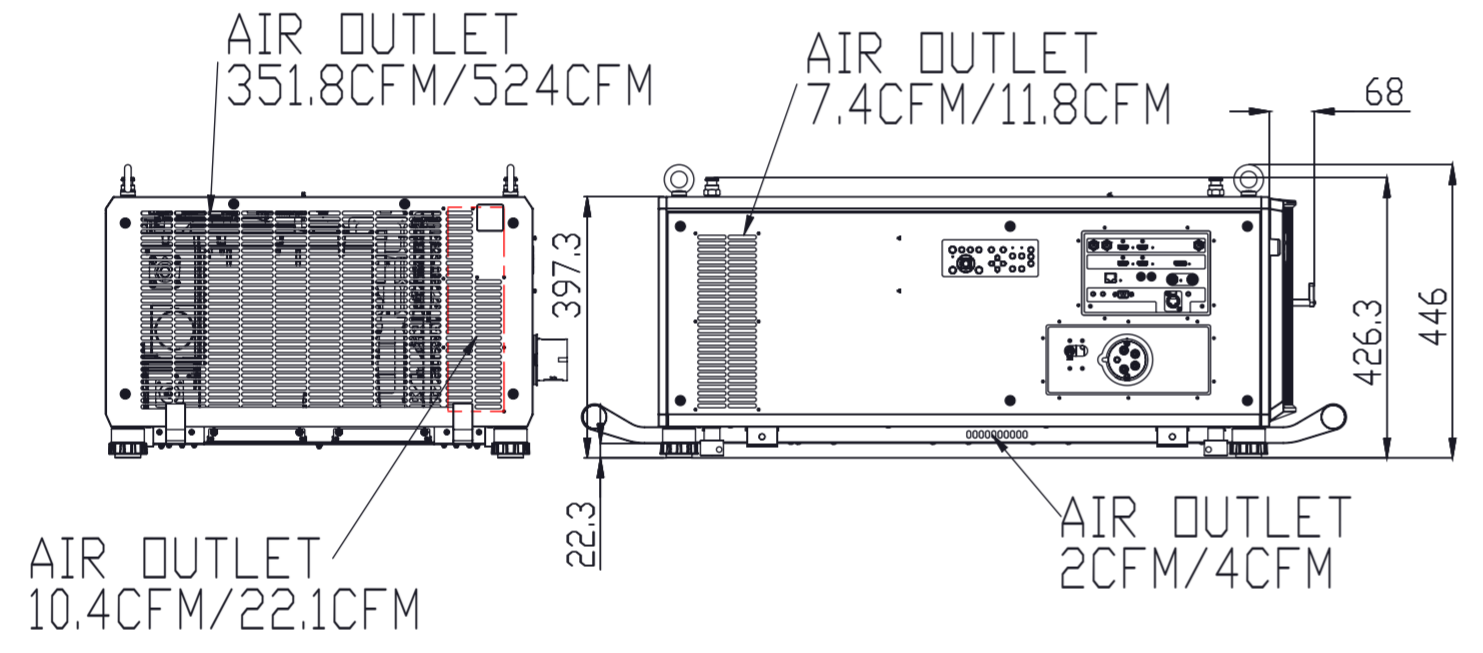
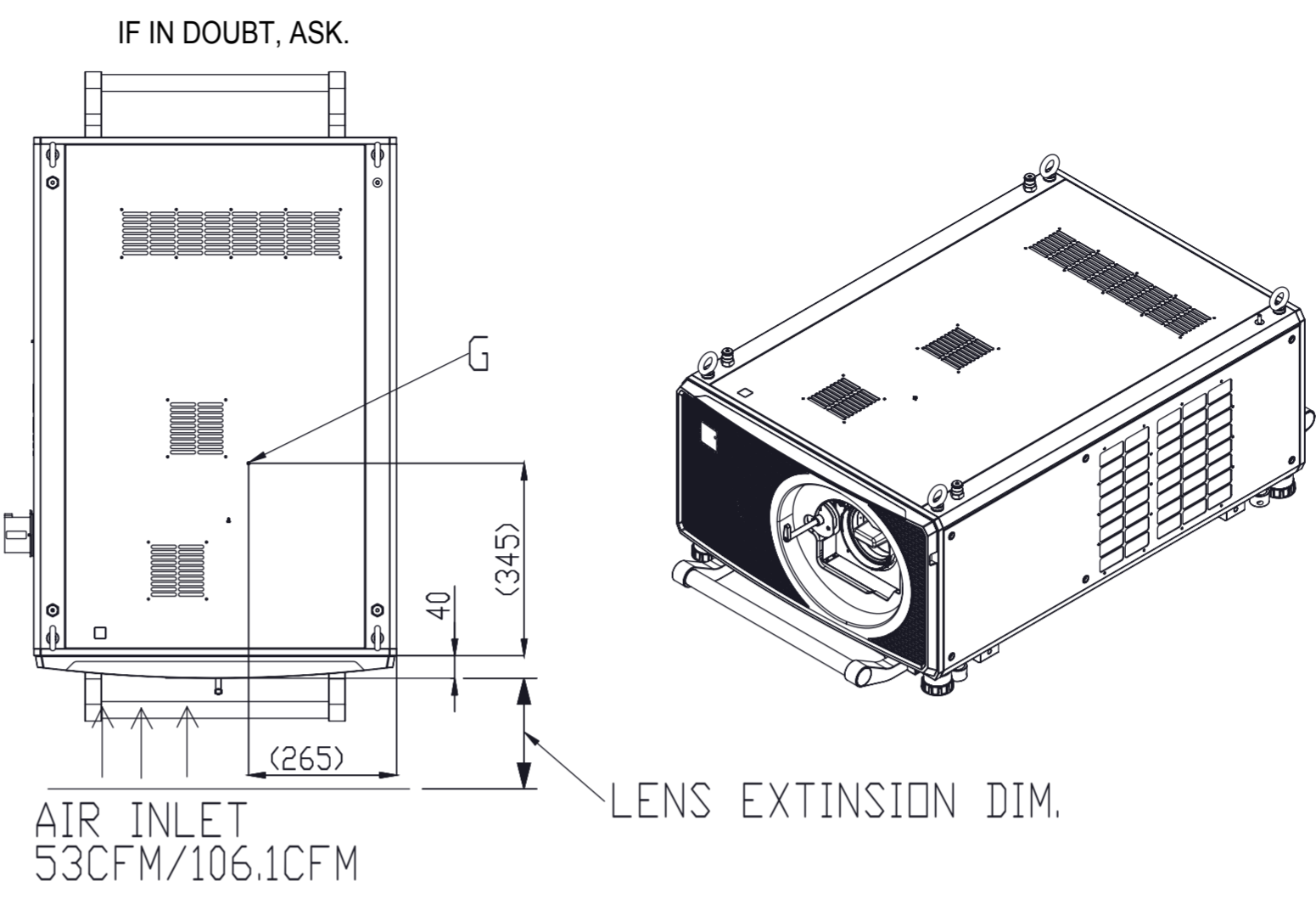
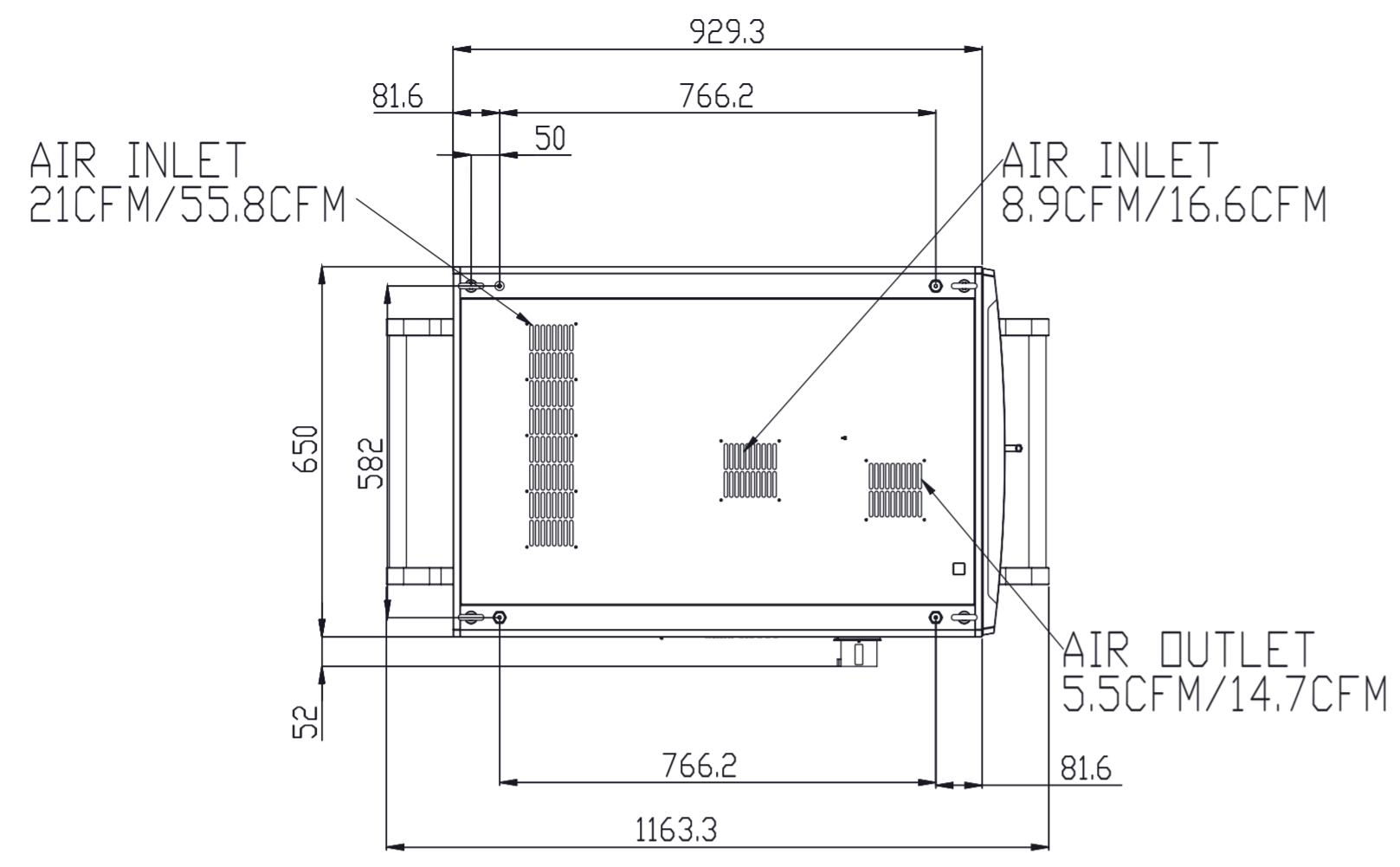


A2 DRG. No.  
 PROPRIETARY INFORMATION  
 This document contains proprietary information which is intended for your use only. It is not to be reproduced, stored in a retrieval system, or transmitted in any form or by any means, electronic, mechanical, photocopying, recording, or by any information storage and retrieval system, without the prior written permission of Digital Projection Ltd. It shall be returned immediately upon request.  
 DRAWN BS 308  
 3rd Angle Projection

Distribution Code



LENS EXTENSION TABLE	
LENS THROW RATIO	EXTENSION DIM
0.67:1	141
1.12:1	205
1.16-1.49:1	162.5
1.39-1.87:1	130.5
1.87-2.56:1	95.3
2.56-4.16:1	88.7
4.16-6.96:1	55

Part No.	DESCRIPTION
119-704	PROJECTOR, TITAN LASER 37000 WU (EU)
119-705	PROJECTOR, TITAN LASER 33000 4K-UHD (EU)
119-837	PROJECTOR, TITAN LASER 29000 WU (EU)
119-838	PROJECTOR, TITAN LASER 26000 4K-UHD (EU)

PRE REVS	ITEM	DESCRIPTION	REFER TO	No OFF	REMARKS
7					
6					
5					
4					
3					
2					
1					

MATERIAL	CODE	FINISH

CAD GENERATED DRAWING  
 DO NOT MAKE MANUAL CHANGES  
 LAST CHANGE

TOLERANCES UNLESS OTHERWISE STATED
METRIC: 1.000 ±0.01
1.00 ±0.1
1.0 ±0.2
1 ±0.4
IMPERIAL Fractional ±1/64"
Decimal ± 0.005"
ANGLES ± 0° 30'

Unless Otherwise Stated	DIMENSIONS IN MILLIMETRES
REMOVE ALL BURRS & SHARP EDGES. DO NOT SCALE DRAWING THE SURFACE TEXTURE ROUGHNESS NUMBER OF MACHINED SURFACES SHOULD BE EQUAL TO OR LESS THAN 0.8µm (N6 CLA32)	
REV.	A
NOTE	
DRAWN	jcharnley
APP.DO.	
DATE	18-10-18

FIRST USED ON
ORIGINAL SCALE 1:23
DRAWN jcharnley
APP.ENG.
DATE 04-10-18

**DIGITAL PROJECTION** MIDDLETON M24 1XX

TITLE SEE ABOVE	COMPONENT OR DRG. No. SEE ABOVE
A2-SHEET	1 OF 1