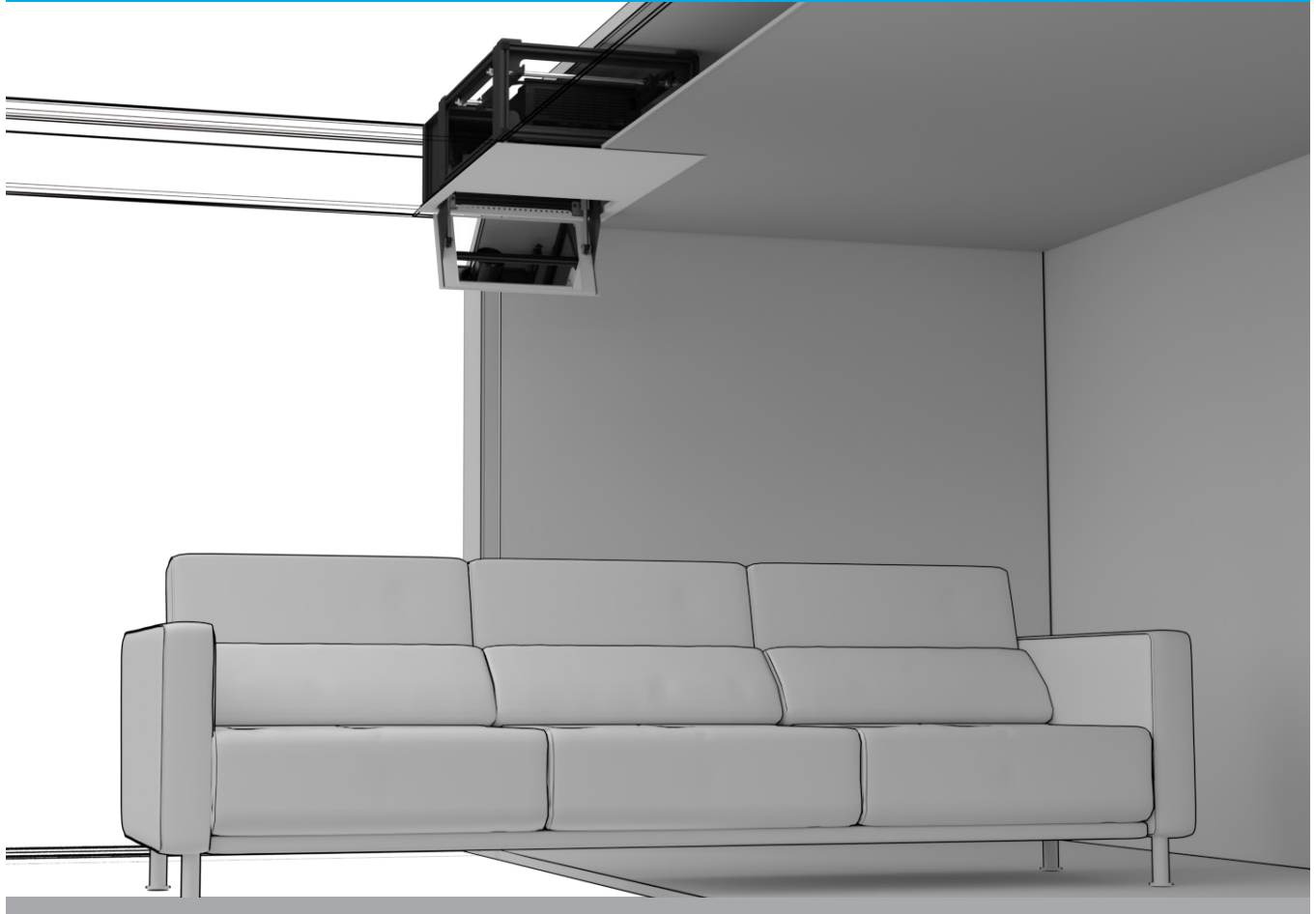




Motorised Mirror Drop

[DT-MMD]

In ceiling mirror drop for projector mounting and concealing using a compact folding mirror system



MOUNTS AND MIRRORS

MOTORISED MIRROR DROP [DT-MMD]

In ceiling mirror drop for projector mounting and concealing using a compact folding mirror system

DT Motorised Mirror Drop is an in-ceiling projector mount featuring dual high performance optical mirrors, custom projector interface and flexible alignment adjustment. It is intended for applications where it is aesthetically advantageous to hide the projector in the ceiling – only dropping the compact mirror system when the projector is in use.

PRODUCT HIGHLIGHTS:

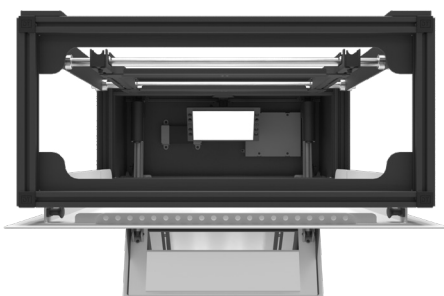
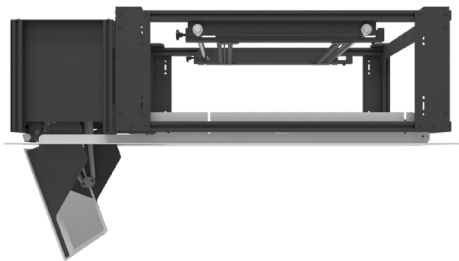
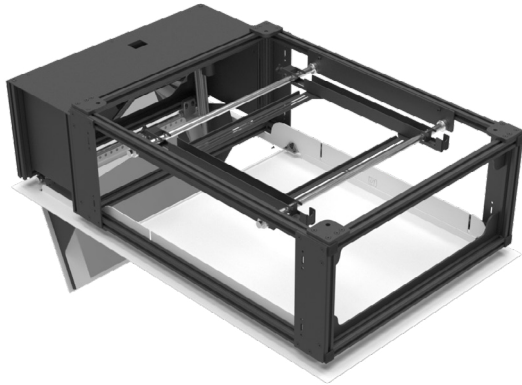
- Concealed projector mounting
- Removes intrusive overhead Projector mounting
- Removes direct overhead projection noise
- Enables image to be projected from further back in a room



Motorised Mirror Drop

[DT-MMD]

In ceiling mirror drop for projector mounting and concealing using a compact folding mirror system



The **custom projector interface** is a result of the in-house fabrication capabilities of DT mounts and enables the projector to be fixed directly to the MMD quickly, easily and accurately straight out of the box.

The **two-part system** allows the basic frame to be installed during first fix of the project and if required plastered in. The Mirror module contains all the lift mechanism and controls and is simply fitted on simple location slots for final installation and commissioning.

Featuring **DT mounts Actuator Position Logic (APL)** making it straightforward to set exact stops and closed positions for simple recall via 12v trigger, IR, IP or RS232.

TECHNICAL SPECIFICATION:

- Overall weight = 40kg [88.18lbs]
- Projector Specification:
 - Weight (inc. lens) Up to 50kg
 - Maximum fixing hole spacing 440mm wide x 453mm - M8 Max
 - Minimum throw 1.4



Scan the QR code or follow the link
info.displaytechnologies.co.uk/DT-MMD
for full product information.

This product is proudly
MADE IN BRITAIN 