

SM-CEILING-CA

Strong™ Cathedral Ceiling Adapter for Ceiling Mounts with 1-1/2 in. NPT Threading (Black)

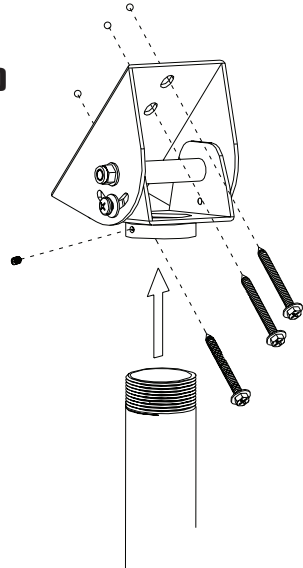


PARTS INCLUDED

- (1) Cathedral Adapter Assembly
- (3) #14 x 2.5" Lag Screws
- (4) M5 x 5mm Set Screws
- (2) Allen keys

TOOLS REQUIRED

- Power Drill
- 3/16" Drill Bit
- Stud Finder



INSTALLATION

- Step 1: Use Ceiling Plate to mark holes in ceiling.
- Step 2: Pre-drill 3 holes using 3/16" drill bit. Insert 3 Lag Screws into holes through Ceiling Plate and tighten down.
- Step 3: Thread extension pipe and tighten set screws

Lifetime Limited Warranty

Strong™ Mounts have a Lifetime Limited Warranty. This warranty includes parts and labor repairs on all components found to be defective in material or workmanship under normal conditions of use. This warranty shall not apply to products which have been abused, modified or disassembled. Products to be repaired under this warranty must be returned to SnapAV or a designated service center with prior notification and an assigned return authorization number (RA).

For Technical Support call 1.866.838.5052



engineered by
Snap
av