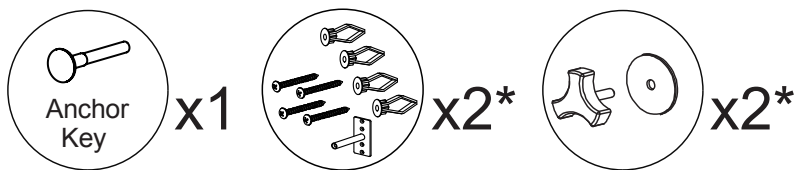
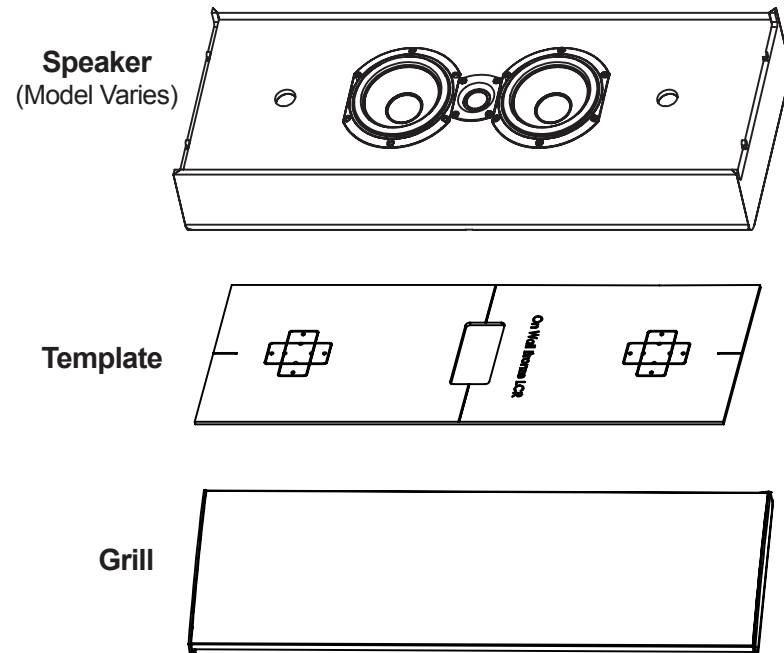




Unpacking / Contents



EasyMount Bracket and Hardware

(8 anchors & 1 key, 8 screws, 2 mounting posts, and 2 knobs & 2 washers).

* For safety, superstretched models longer than 66 inches (1676.4mm) include 4 sets of EasyMount Brackets & Hardware. If your speaker includes 4 sets, use them all as per instructions on page 2.

Specifications

Applicable Models	Dimensions Inches / cm	Frequency Response +/-3dB, 2pi**	Sensitivity 2.83v, 1m	Rec Amp Pwr Per Channel	Rec Sub Xover / > 3" from wall**	Nominal Impedance	EZ Bracket Post length	Weight lbs/kg
OnWall MiniSat 3.0	44x6x2.8 / 111.8x15.2x7.3	90 Hz - 20 kHz	86 dB	75 - 125 Watts	100 / 110 Hz**	8 ohms	2 inch	15.2 / 6.9
OnWall Mini LCR 3.0	54x6x4; 137.2x15.2x10.2	90 Hz - 20 kHz	87.5 dB	25 - 150 Watts	100 / 110 Hz**	4 ohms	3 inch	20.0 / 9.0
OnWall Mini LCR 3.0SE	54x6x4; 137.2x15.2x10.2	90 Hz - 20 kHz	87.5 dB	25 - 150 Watts	100 / 110 Hz**	4 ohms	3 inch	22.0 / 9.9
OnWall Mini LCR 1.0	21-1/2x6x4; 54.6x15.2x10.2	90 Hz - 20 kHz	87.5dB	25 - 150 Watts	100 / 110 Hz**	4 ohms	3 inch	9.0 / 4.1
OnWall Mini LCR 1.0SE	21-1/2x6x4; 54.6x15.2x10.2	90 Hz - 20 kHz	87.5dB	25 - 150 Watts	100 / 110 Hz**	4 ohms	3 inch	9.9 / 4.4
OnWall Mini LCR 2.0	50x6x4; 127.0x15.2x10.2	90 Hz - 20 kHz	87.5dB	25 - 150 Watts	100 / 110 Hz**	4 ohms	3 inch	14.5 / 6.6
OnWall Mini LCR 2.0SE	50x6x4; 127.0x15.2x10.2	90 Hz - 20 kHz	87.5dB	25 - 150 Watts	100 / 110 Hz**	4 ohms	3 inch	15.8 / 7.2
OnWall Bronze LCR	10x28x4; 25.4x71.2x10.2	80 Hz - 20 kHz	89 dB	50 - 200 Watts	90 / 100 Hz**	4 ohms	3 inch	16.5 / 7.5

** 2 pi Frequency Response specifications are measured with wall or other boundary reinforcement nearby. If soundbar is mounted more than 3 inches from a wall or other surface, increase subcrossover frequency 10 Hz.

Additional Info

Triad's EasyMount wall bracket, included with each speaker, is quick & easy to install, adds no depth, and allows up to .5 inch (12.7mm) horizontal and vertical adjustments for leveling or aligning.

North American Limited Warranty

Triad speakers are warranted to be free from defects in manufacturing and workmanship (10) years when operated under normal conditions. Should any such defects occur within the warranty period call Triad Service at 1-877-264-6315 for an RA (Return Authorization) number. Return the product in intact factory packaging with RA number clearly visible on outside of box and proof & date of purchase inside to:

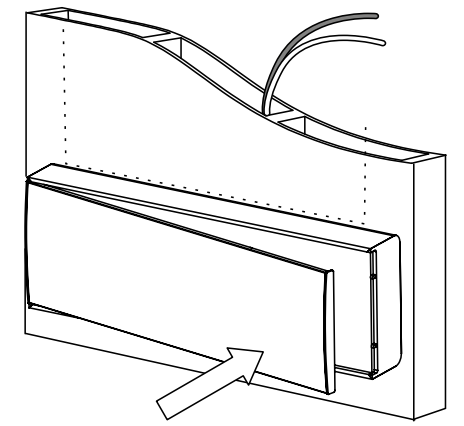
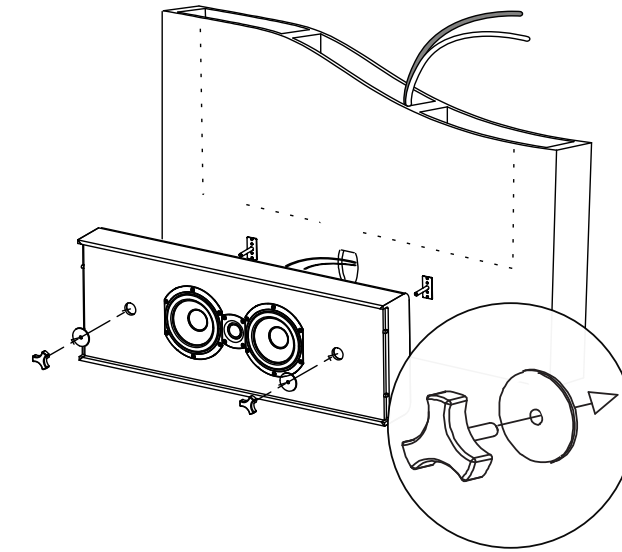
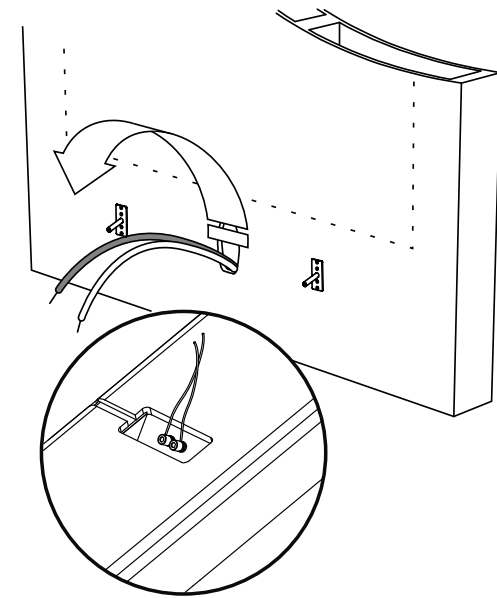
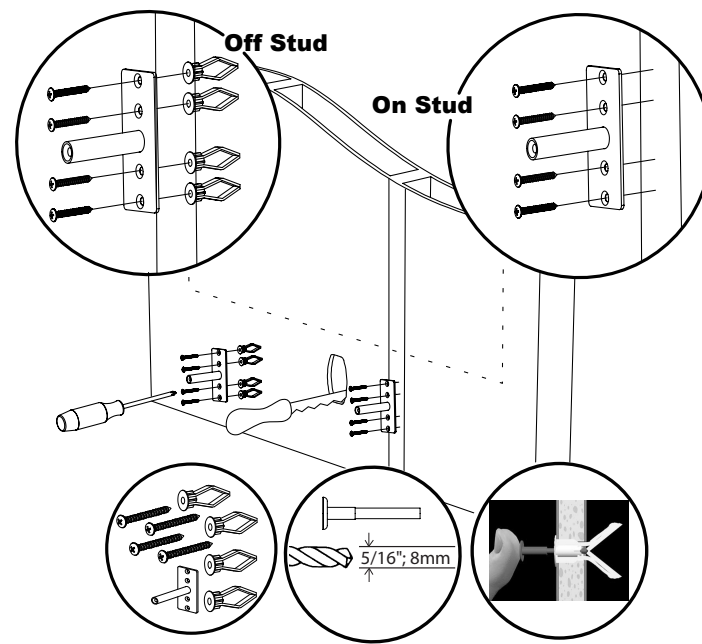
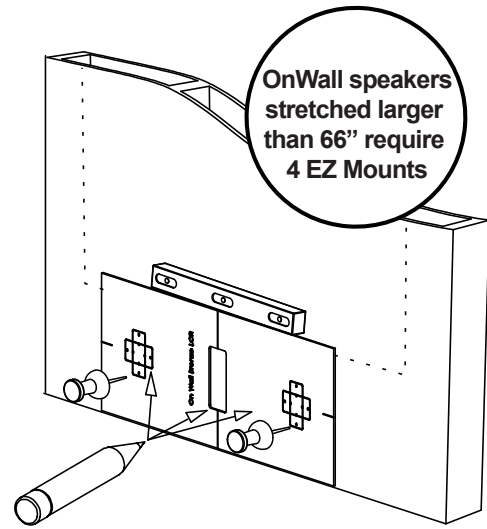
Triad Speakers Inc., 15835 NE Cameron Blvd., Portland, Oregon 97230 USA

Triad is not responsible for any shipping damage coming in to Triad. If you do not have intact factory packaging, contact your dealer or Triad Service for purchase. At our discretion we will repair or replace the product and return it free of charge. International customers should contact their dealer for service. This limited warranty is extended only to Triad products and is expressly in lieu of all other warranties expressed or implied.

For Mounting with other manufacturers' brackets (e.g. Chief) that use 1/4-20 inserts:

OnWall MiniSat 3.0 has two 1/4-20 inserts on its back for use with other manufacturers' speaker brackets.

OnWall Bronze LCR, OnWall Mini LCR 1.0, 2.0, 3.0 & OnWall Mini LCR 1.0, 2.0, 3.0SE do not have 1/4-20 inserts on their backs. Instead the backs of the EZ Mount Posts are tapped for 1/4-20 bolts. Simply attach the EZ Brackets to the enclosure as shown in Drawings D on Page 2, but do not attach them to the wall. Screw the 1-4-20 bolts into the backs of the posts.



Horizontal Installation

A Level & pin template to wall. Outline wire hole and screw holes for 2 mounting posts - or 4 with stretched sound-bars longer than 66"/1676.4 mm. Always orient posts vertically.

B Cut wire hole. Install anchors if there are no studs; once anchors are in the drywall, pop them open with the included key. Then screw mounting posts to wall using 4 anchors & screws per post. Mounting posts should always be mounted vertically (portrait) for strength.

C Pull speaker wires through wire hole; attach to binding posts or push connectors. Be sure to preserve correct polarity (red to red) with amp and to avoid stray strands shorting between binding posts.

D Mount speaker on posts; loosely tighten knobs. Level or align +/- 1/4" (6.35mm), then tighten.

E Attach grill at one end; seat edges along both sides; attach other end. Snug all around.

Vertical Installation

