

DESIGNER SERIES

IN-CEILING SPEAKERS



TRIAD IN-CEILING DESIGNER SERIES FULL-RANGE AND SUB

The Triad Designer Series is a uniquely engineered family of luxury in-ceiling speakers that deliver rich, full sound through a speaker grill that is a fraction of the size of traditional in-ceiling speakers.

The DS4-FR Full-Range speaker includes two woofers and an Ultra Broad Dispersion (UBD) tweeter providing 150-degrees of sound, up to 50 percent wider than conventional speakers. Everyone can enjoy the music while minimizing hot spots where the music is too loud. The DS4-SUB Subwoofer includes three woofers for exceptional bass while being incredibly discreet.

Designer Series speakers are constructed with premium MDF to prevent sound from traveling between floors. Built with installers in mind, Designer Series speakers are completely serviceable through the grill opening including all drivers and crossovers. The speaker grills can also be painted to match any room.

IN-CEILING FULL-RANGE

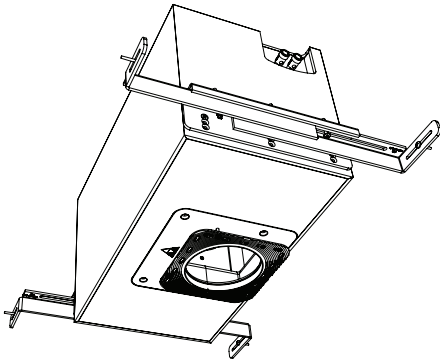
- One 2.5" UBD™ broadband full-range driver
- Two 3" x 6" woofers
- 4" port with round or square flush-mount or micro frame grills
- Handles 100 - 200W at 6 ohm
- Frequency response 55 Hz - 20 kHz

IN-CEILING SUBWOOFER

- Three dedicated 3" x 6" woofers
- 4" port with round or square flush-mount or micro frame grills
- Handles 300W at 4 ohm
- Frequency response 28 Hz - 200 Hz

TRIAD IN-CEILING DESIGNER SERIES

SPECIFICATIONS



MATERIALS

| | |
|--------------|------------------------|
| Tweeter size | 2.5" (63.5 mm) |
| Tweeter type | UBD™ mid/high |
| Woofer count | 2 |
| Woofer size | 3 × 6" (7.6 × 15.2 cm) |
| Woofer type | Coated paper |

DIMENSIONS

| | |
|----------------------------|--|
| Enclosure size (L × W × D) | 16 × 8 1/2 × 8 7/8" (40.6 × 21.6 × 22.5 cm) |
| Product weight (ea.) | 16.65 lbs (7.55 kg) |
| Shipping weight (ea.) | 24 lbs (10.8 kg) |

PERFORMANCE

| | |
|----------------------------------|----------------|
| Recommended amplifier power | 100 - 200W |
| Nominal impedance | 6 ohm |
| Minimum impedance | 5.5 ohm |
| Sensitivity (dB @ 2.83V, 1 m) | 88 dB |
| Frequency response (4 π +/- 3dB) | 55 Hz - 20 kHz |

SUBWOOFER

| |
|------------------------|
| - |
| - |
| 3 |
| 3 × 6" (7.6 × 15.2 cm) |
| Coated paper |

SUBWOOFER

| |
|--|
| 16 × 8 1/2 × 8 7/8" (40.6 × 21.6 × 22.5 cm) |
| 16.15 lbs (7.32 kg) |
| 23.5 lbs (10.66 kg) |

SUBWOOFER

| |
|----------------|
| 300W |
| 4 ohm |
| 4 ohm |
| 28 Hz - 200 Hz |

PRODUCT PAGE



PRODUCT NUMBERS

| |
|-------------------------------|
| with Round Frameless Grill |
| with Square Frameless Grill |
| with Round Micro Frame Grill |
| with Square Micro Frame Grill |

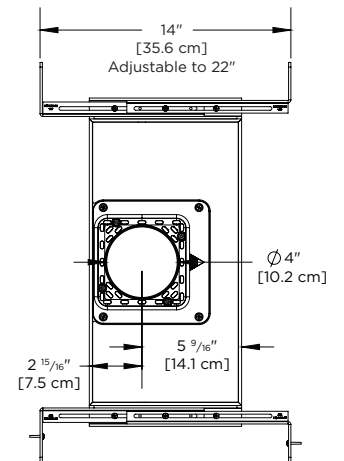
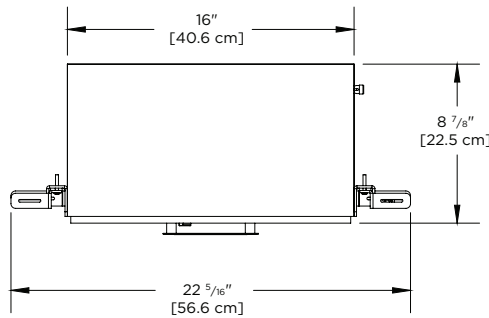
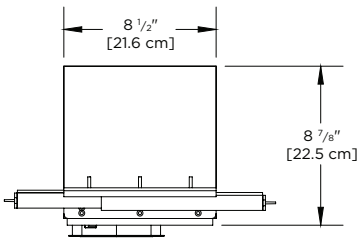
FULL-RANGE

| |
|--------------|
| 59041-1000-1 |
| 59041-1010-1 |
| 59041-1020-1 |
| 59041-1030-1 |

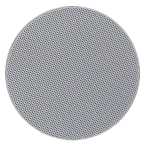
SUBWOOFER

| |
|--------------|
| 59009-1000-1 |
| 59009-1010-1 |
| 59009-1020-1 |
| 59009-1030-1 |

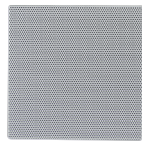
DIMENSIONS



GRILL OPTIONS



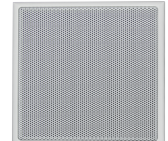
Round Frameless Grill



Square Frameless Grill



Round Micro Frame Grill



Square Micro Frame Grill