

ALF100CV

HIGH PERFORMANCE DISCREET SUBWOOFER

DATASHEET Rev. 1.3 | 17-10-2023 | E&OE



AMINA
IMMERSIVE INVISIBLE SOUND

Product Description

Introducing the Amina ALF100CV, a hidden 4th order bandpass subwoofer designed to deliver exceptional low frequency power and precision. With an RMS power handling rating of 200W @ 4Ω and extending down to 28Hz, the Amina ALF100CV produces rich, deep bass suitable for the most demanding applications.

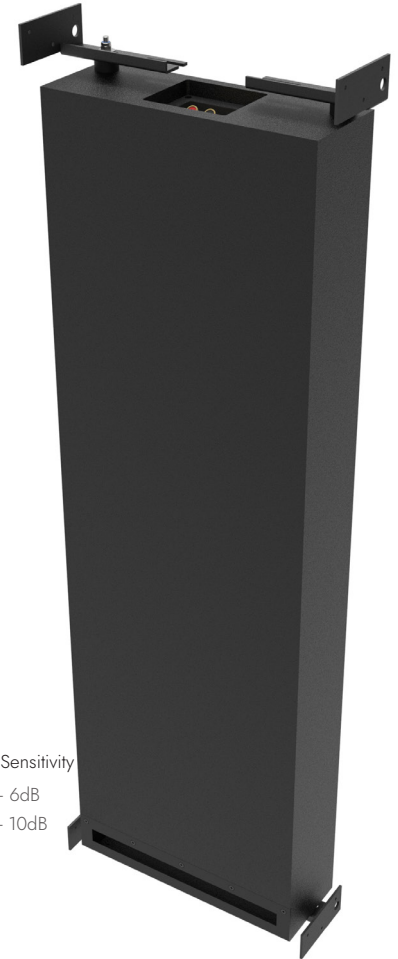
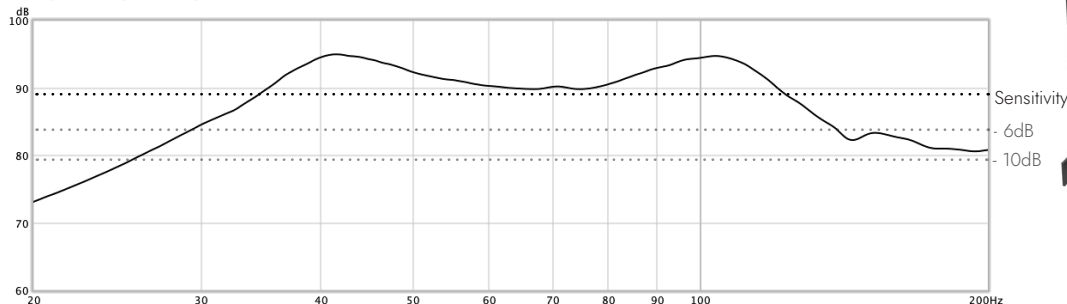
The ALF100CV features a fail-safe mounting system that mechanically isolates the subwoofer from the surrounding construction, minimizing the transfer of vibration into the structure of the building and maintaining pristine sound reproduction.

The mounting system allows the subwoofer to be mounted between studs or joists on 400mm (15 3/4") to 600mm (23 5/8") centres making it ideally suited to installation in cavity ceilings and cavity walls where there is 115mm+ (4 1/2") of cavity depth. Alternatively, the ALF100CV can be positioned in cabinetry, behind kitchen kickboards or under sofas.

DSP Optimisation

The ALF100CV gives exceptional performance with only a high pass filter at 28Hz (48dB/Oct. slope) and a low-pass filter at (or below) 120Hz, and the amplifier powering the subwoofer must be power limited to 200W RMS @ 4Ω (28Vrms) for protection. Optimisation files will be available for download soon.

Frequency Response (without optimisation applied)



Specifications

ALF100CV

Nominal Impedance	4 Ohms
Power Handling	200W Continuous
Sensitivity	89dB @ 1m/2.83Vrms (Half-Space)
Frequency Response	28Hz - 120Hz (-6dB)
Max SPL	109dB RMS @ 1m (Half-Space)
Electrical Connection	Push Button Spring Terminals
Dimensions (Excluding Mounting Hardware)	109mm x 310mm x 1000mm (4 5/16" x 12 3/16" x 39 3/8")
Installation Dimensions (Including Mounting Hardware)	115mm x [330mm -> 520mm] x 1100mm (4 1/2" x [13" -> 20 1/2"] x 43 5/16")
Product Weight (Including Mounting Hardware)	14.9kg (32lb 14oz)
Port Locations	Configurable as Front-Firing or End-Firing
Port Dimensions	20mm (13/16") x 274mm (10 13/16")
Minimum Cavity Depth Requirement	115mm (4 1/2")
Manufacturer Limited Warranty	3 Years

Amina Technologies Limited

Cirrus House, Glebe Road, Huntingdon, Cambridgeshire, PE29 7DL, England

+44 (0) 1480 354390 | info@aminasound.com | www.aminasound.com

ALF100CV

HIGH PERFORMANCE DISCREET SUBWOOFER

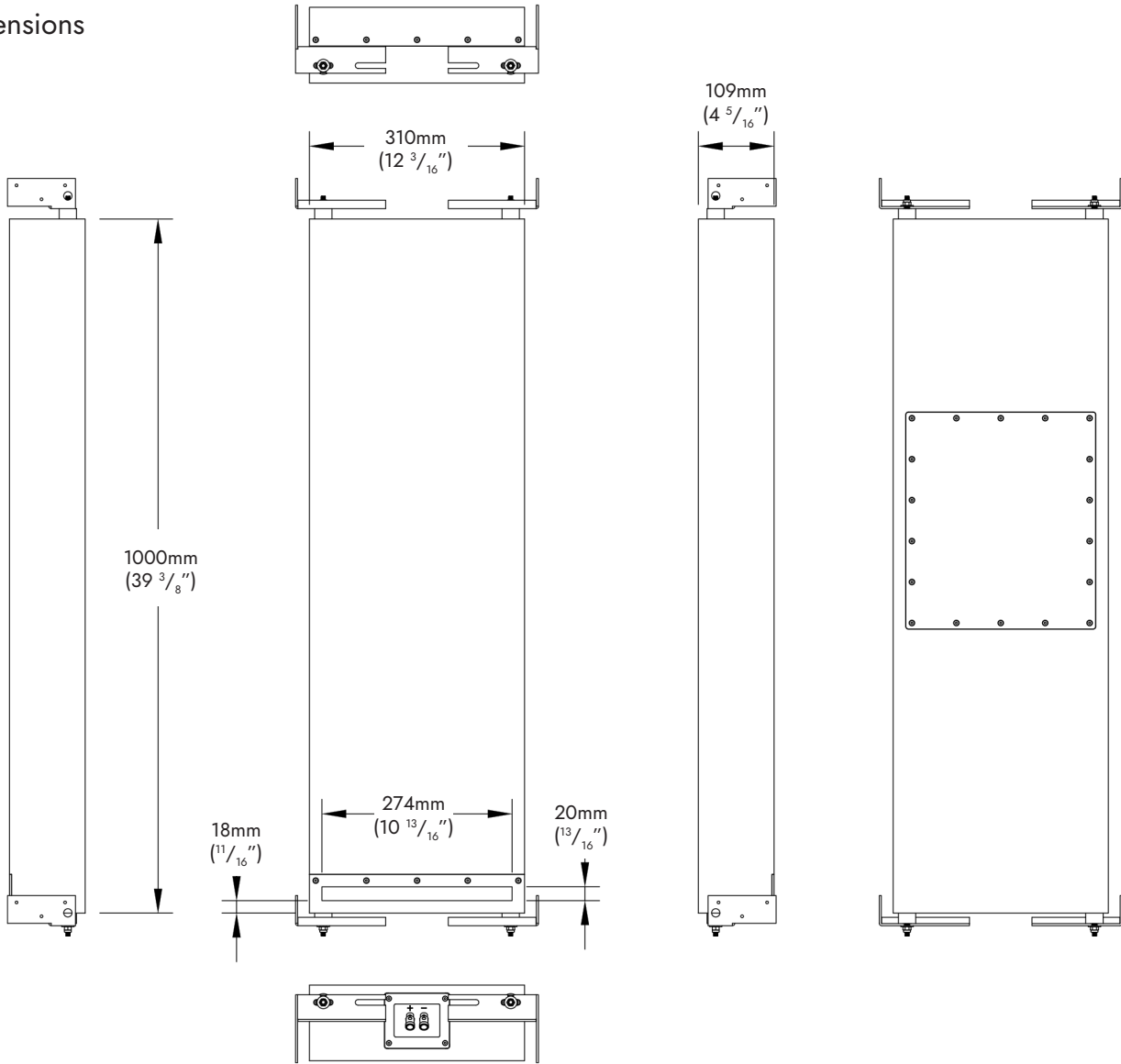
DATASHEET Rev. 1.3 | 17-10-2023 | E&OE



AMINA

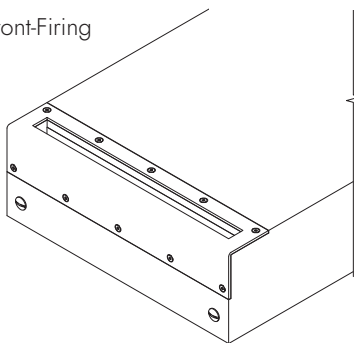
IMMERSIVE INVISIBLE SOUND

Dimensions

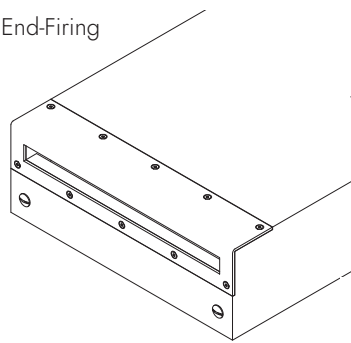


Port Orientation Options

1: Front-Firing



2: End-Firing



Amina Technologies Limited

Cirrus House, Glebe Road, Huntingdon, Cambridgeshire, PE29 7DL, England

+44 (0) 1480 354390 | info@aminasound.com | www.aminasound.com