



CHIME VIDEO DOORBELL (Wi-Fi)
QUICK START GUIDE



Contents

To view the online version of this document, go to ctrl4.co/vdb-w-qsg.

Contents	2
PREREQUISITES	3
CONTENTS	3
IMPORTANT NOTES AND CAUTIONS	3
INSTALLING THE BRACKET	4
CONNECTING TO THE POWER ADAPTER WITH A MECHANICAL DOORBELL CHIME ..	6
CONNECTING TO THE POWER ADAPTER WITHOUT A MECHANICAL DOORBELL CHIME	8
INSTALLING THE VIDEO DOORBELL	9
CONNECTING THE VIDEO DOORBELL TO YOUR CONTROL4 SYSTEM	10
MORE INFORMATION	10
REGULATORY AND SAFETY INFORMATION	10
WARRANTY	10
About Control4	11
Regulatory/Safety information	11
Warranty	11
Technical Support Contact Information	11
Legal Notice	11
Disclaimer	11
Licenses	11

PREREQUISITES

- Control4 system running OS 3.2 or higher.
- For the Wi-Fi model (C4-VDB-W), a 16-24V AC, at least 10VA (10W), doorbell transformer (not included) is required to power the VDB.
- If you want to use the external chime feature, a mechanical doorbell chime, doorbell transformer, and standard doorbell wiring (18-22 gauge 2-conductor) between them are required. Digital doorbell chimes are not supported.
- Sufficient Wi-Fi coverage outside at the doorbell location (-65 dbm or better for best results).

CONTENTS

- Video Doorbell (Wi-Fi) (C4-VDB-W)
- Mounting bracket
- Wood screws (3), anchors (2), and spare wire terminal screw
- Set screws (2) and Allen-type wrench

IMPORTANT NOTES AND CAUTIONS

Important! Installation and maintenance should only be performed by qualified technicians.

Important! The VDB should only be connected to a properly secured network.

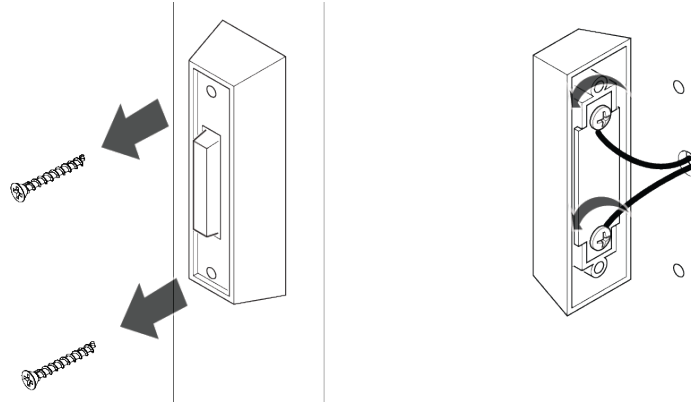
Caution! Use with a power supply that is UL listed and Limited Power Source (LPS) certified. The power supply should bear the UL listed and LPS marks. The power supply should also meet any safety and compliance requirements for the country of use. The power supply should be properly grounded.

Go to [INSTALLING THE BRACKET](#)

INSTALLING THE BRACKET

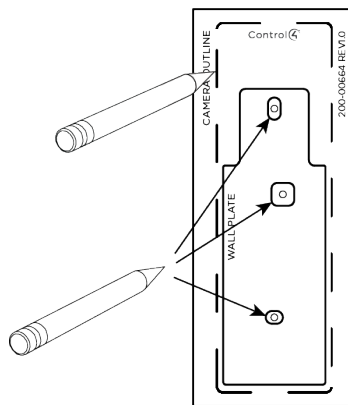
Caution! Disconnect power to the doorbell transformer or power to the circuit at the circuit breaker before starting.

1. Remove the doorbell and disconnect the two wires on the back.



2. Using the template included in the box, mark the holes for mounting the VDB and the cable passthrough cutout.

Trim the template and mark the camera outline if you need to modify the building materials (trim, rock, brick, etc.) to make the VDB fit.



Important! The VDB should never be mounted more than 6 ft (2 m) off the ground.

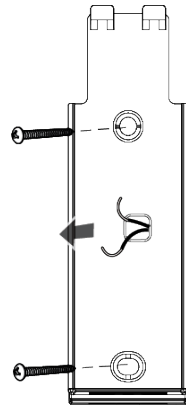
Important! Make sure existing doorbell wire lines up with the cable passthrough cutout.

3. Drill $\frac{3}{32}$ " (2.4 mm) pilot holes for the wood screws to mount the metal bracket. If using the anchors, drill $\frac{3}{16}$ " (4.8 mm) pilot holes for the anchors.

Important! Use appropriate anchors if installing the VDB to stucco, brick, or other construction material. Wood screws are included in the box.

4. Install the metal bracket for the VDB using the provided screws. Pull the doorbell cable through the bracket before installation.

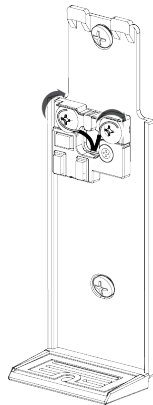
After connecting to the metal bracket, you will need to push any extra length in the doorbell cable back into the hollow wall space. Trim the cable if needed.



5. Connect the two doorbell wires to the terminals on the metal bracket

After connecting the doorbell wires, push any excess length back into the wall cavity.

Important! Wire polarity doesn't matter.

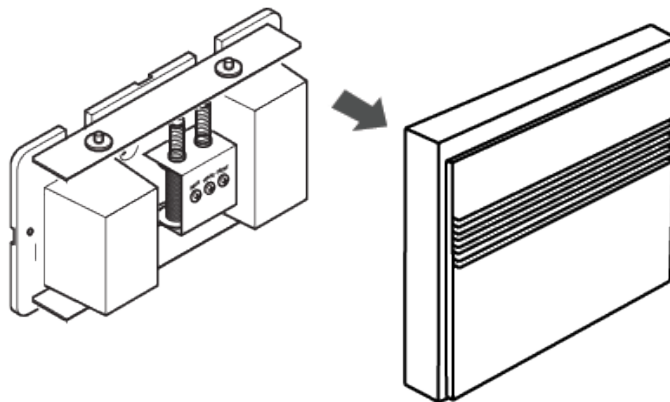


Go to [CONNECTING TO THE POWER ADAPTER WITH A MECHANICAL DOORBELL CHIME](#)
or [CONNECTING TO THE POWER ADAPTER WITHOUT A MECHANICAL DOORBELL CHIME](#)

CONNECTING TO THE POWER ADAPTER *WITH A MECHANICAL DOORBELL CHIME*

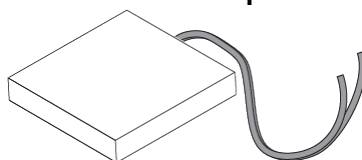
Caution! Disconnect power to the doorbell transformer or power off the circuit at the circuit breaker before starting.

1. Remove the doorbell chime cover.

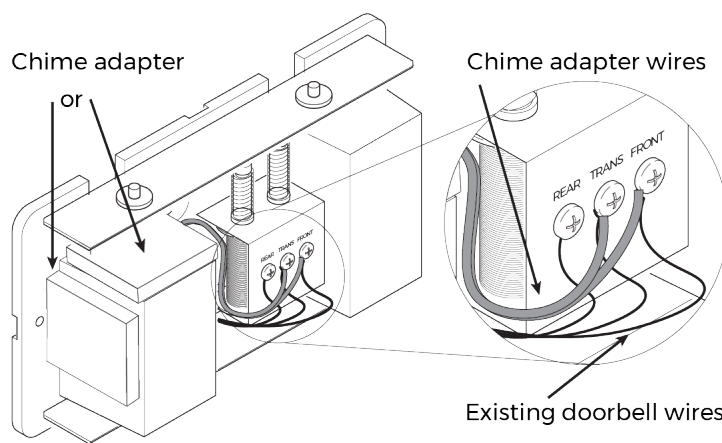


2. Wire the two wires from the chime adapter parallel to the wiring to the doorbell button where the VDB is installed.

Chime adapter



For example, if the VDB is installed at the front door, connect the two wire leads from the adapter to the FRONT and TRANS terminals at the doorbell chime along with the existing wires going to the front door location.



3. Remove the backing covering the adhesive on the chime adapter and adhere the chime adapter to the doorbell chime.

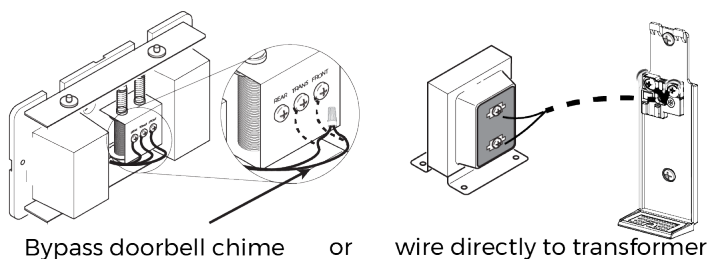
Important! Make sure any wires and the adapter are out of the way of the motion of the mechanical chime.

Go to [INSTALLING THE VIDEO DOORBELL](#)

CONNECTING TO THE POWER ADAPTER *WITHOUT* A MECHANICAL DOORBELL CHIME

Caution! Disconnect power to the doorbell transformer or power off the circuit at the circuit breaker before starting.

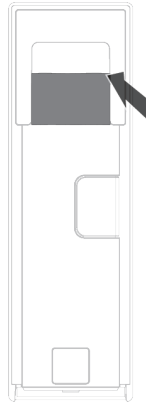
1. If you do not want to use the mechanical chime (or if you only have a digital doorbell chime), you can skip installing the chime adapter and bypass the wiring at the mechanical chime, or wire the VDB directly to the doorbell transformer.



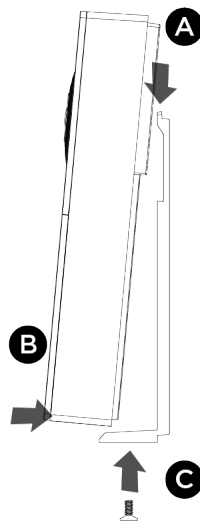
Go to [INSTALLING THE VIDEO DOORBELL](#)

INSTALLING THE VIDEO DOORBELL

1. Remove the plastic on the front and back of the VDB. Be careful to not disturb the thermal paste on the back of the VDB.



2. Install the VDB onto the metal bracket.
 - A. Hook the top of the bracket with the back of the VDB.
 - B. Swing the bottom of the VDB in onto the bracket and firmly press against the bracket.
 - C. Insert and tighten the set screw using the provided Allen-style wrench.



3. Power on the circuit or reconnect the doorbell transformer. The VDB powers on and the LED ring slowly fades in and out to white until the Wi-Fi connection is configured.

Go to [CONNECTING THE VIDEO DOORBELL TO YOUR CONTROL4 SYSTEM](#)

CONNECTING THE VIDEO DOORBELL TO YOUR CONTROL4 SYSTEM

NEXT STEP: View the VDB Setup and Installation Guide online by going to ctrl4.co/vdb-w-ig.

MORE INFORMATION

For information and setup topics for the Chime Video Doorbell, visit the [Tech Community](#).

REGULATORY AND SAFETY INFORMATION

To review regulatory information for your particular Control4 products, see the information located on the Control4 website at ctrl4.co/reg.

WARRANTY

Visit ctrl4.co/warranty for details.

About Control4

Control4, a leading provider of the operating system for the smart home, delivers intelligent control of consumer electronics products, appliances and networking systems through an easy-to-use and intuitive software interface. Founded in 2003, the company delivers affordable automation and control of lighting, music, video, HVAC, security, and energy management systems to the broad market through more than 1,600 custom integrators, retail outlets, and distributors in over 65 countries. Control4 is the platform of choice for major consumer electronics companies, hotels, businesses and utilities that require an intelligent, open and affordable control solution. For more information, visit www.control4.com.

Regulatory/Safety information

To review regulatory information for your particular Control4 products, see the information located on the Control4 website at ctrl4.co/reg.

Warranty

Visit ctrl4.co/warranty for details.

Technical Support Contact Information

If you encounter any issues during or following the update, or if you have any questions, please contact Control4 Technical Support for assistance.

USA (888) 400-4072
UK +44 1347 300001
Germany +49 69 9675 9797
Australia +61 18 0099 0548
China +86 400 8428136

For support in regions covered by a distribution partner, contact your distributor.

Legal Notice

This document is confidential and is only made available to authorized Control4 Dealers who have agreed to terms of confidentiality under the Control4 Non-Disclosure Agreement. These terms must be maintained and pertain to information found in this document.

Information in this document, including URL and other Internet website references, is subject to change without notice and is provided for informational purposes only. The entire risk of the use or results of the use of this document remains with the user, and Control4 makes no warranties, either express or implied. Complying with all applicable copyright laws is the responsibility of the user. Without limiting the rights under copyright, no part of this document may be reproduced, stored in or introduced into a retrieval system, or transmitted in any form or by any means (electronic, mechanical, photocopying, recording, or otherwise), or for any purpose, without the express written permission of Control4.

Control4 may have patents, patent applications, trademarks, copyrights, or other intellectual property rights covering subject matter in this document. Except as expressly provided in any written license agreement from Control4, the furnishing of this document does not give you any license to patents, trademarks, copyrights, or other intellectual property.

This document is for reference purposes only, and it is provided only as advice to Dealers. Each system setup is unique and customized to a specific customer's needs. It is the Dealer's responsibility to make sure the system is compatible before making any changes and installing any updates. In addition, it is the Dealers responsibility to get the customer's permission before accessing the customer's system and making any changes or installing any updates.

Disclaimer

Control4 makes no representations or warranties with respect to this publication, and specifically disclaims any express or implied warranties of merchantability or fitness for any particular purpose. Control4 reserves the right to make changes to any and all parts of this publication at any time, without any obligation to notify any person or entity of such changes.

Licenses

GNU

GNU GENERAL PUBLIC LICENSE TERMS AND CONDITIONS FOR COPYING, DISTRIBUTION AND MODIFICATION (Section 3.b.)

You may copy and distribute the Program (or a work based on it, under Section 2) in object code or executable form under the terms of Sections 1 and 2 above provided that you also do one of the following:

Accompany it with a written offer, valid for at least three years, to give any third party, for a charge no more than your cost of physically performing source distribution, a complete machine-readable copy of the corresponding source code, to be distributed under the terms of Sections 1 and 2 above on a medium customarily used for software

interchange.

The complete text for this license is available on the Control4 website.

Gracenote

Gracenote®, Gracenote logo and logotype, and the "Powered by Gracenote" logo are either a registered trademark or a trademark of Gracenote, Inc. in the United States and/or other countries. Music and DVD recognition technology and related data are provided by Gracenote—Gracenote is the industry standard in Music and DVD recognition technology and related content delivery. For more information visit www.gracenote.com.

Spread

This product uses software developed by Spread Concepts LLC for use in the Spread toolkit. For more information about Spread see <http://www.spread.org>.

Libertas

Libertas Firmware copyright statement for Touch Screens 6/26/09

Copyright (c) 2006, One Laptop per Child and Marvell Corporation. All rights reserved.

Redistribution—Redistribution and use in binary form, without modification, are permitted provided that the following conditions are met:

* Redistributions must reproduce the above copyright notice and the following disclaimer in the documentation and/or other materials provided with the distribution.

* Neither the name of Marvell Corporation nor the names of its suppliers may be used to endorse or promote products derived from this software without specific prior written permission.

* No reverse engineering, decompilation, or disassembly of this software is permitted.

* You may not use or attempt to use this software in conjunction with any product that is offered by a third party as a replacement, substitute or alternative to a Marvell Product where a Marvell Product is defined as a proprietary wireless LAN embedded client solution of Marvell or a Marvell Affiliate.

DISCLAIMER—THIS SOFTWARE IS PROVIDED BY THE COPYRIGHT HOLDERS AND CONTRIBUTORS "AS IS" AND ANY EXPRESS OR IMPLIED WARRANTIES, INCLUDING, BUT NOT LIMITED TO, THE IMPLIED WARRANTIES OF MERCHANTABILITY AND FITNESS FOR A PARTICULAR PURPOSE ARE DISCLAIMED. IN NO EVENT SHALL THE COPYRIGHT OWNER OR CONTRIBUTORS BE LIABLE FOR ANY DIRECT, INDIRECT, INCIDENTAL, SPECIAL, EXEMPLARY, OR CONSEQUENTIAL DAMAGES (INCLUDING, BUT NOT LIMITED TO, PROCUREMENT OF SUBSTITUTE GOODS OR SERVICES; LOSS OF USE, DATA, OR PROFITS; OR BUSINESS INTERRUPTION) HOWEVER CAUSED AND ON ANY THEORY OF LIABILITY, WHETHER IN CONTRACT, STRICT LIABILITY, OR TORT (INCLUDING NEGLIGENCE OR OTHERWISE) ARISING IN ANY WAY OUT OF THE USE OF THIS SOFTWARE, EVEN IF ADVISED OF THE POSSIBILITY OF SUCH DAMAGE.

Copyright

Copyright ©2020 Wirepath Home Systems, LLC. All rights reserved. Control4 and Snap AV and their respective logos are registered trademarks or trademarks of Wirepath Home Systems, LLC, dba "Control4" and/or dba "SnapAV" in the United States and/or other countries. 4Store, 4Sight, Control4 My Home, Snap AV, Araknis, Autonomic, BakPak, Binary, Dragonfly, Episode, Luma, Mockupancy, Nearus, NEEO, OvrC, Pakedge, Sense, Strong, SunbriteTV, Triad, Visualant, WattBox, and Wirepath are also registered trademarks or trademarks of Wirepath Home Systems, LLC. Other names and brands may be claimed as the property of their respective owners. All specifications subject to change without notice.

Contact Information

Control4 Corporation
11734 S. Election Road
Salt Lake City, UT 84020 USA
<http://www.control4.com>

CHIME VIDEO DOORBELL (Wi-Fi) QUICK START GUIDE 200-00667-A 20201109 DH