



**INSTALLATION MANUAL**  
**EPISODE ACCESSORIES**



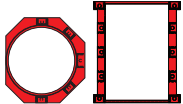

**REAL. LIFE. SOUND.**



## PRE-INSTALL

### Pre-Construction Brackets

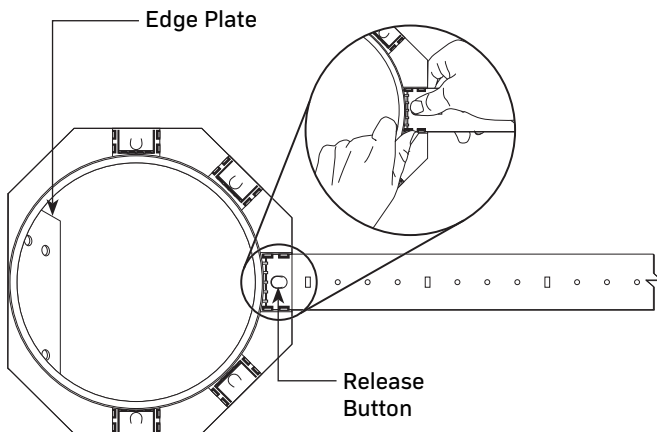
Pre-Construction brackets are color coded and available in four sizes:

	Color	Model
	Yellow	IC-4
	Green	IC-6* IW-6
	Red	IC-8 IW-8
	Blue	IWLCR-6

*\* For POINT-6 models, refer to IC-8 cutout dimensions.*

1. Connect the wing to the bracket.

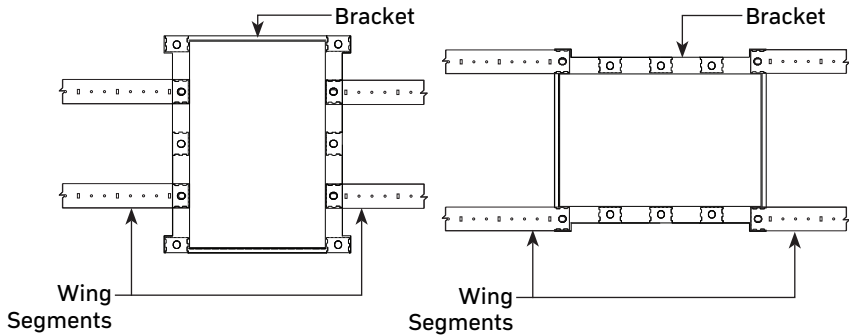
**NOTE:** Press and hold the release button, then slide the wing away from the bracket to disconnect.



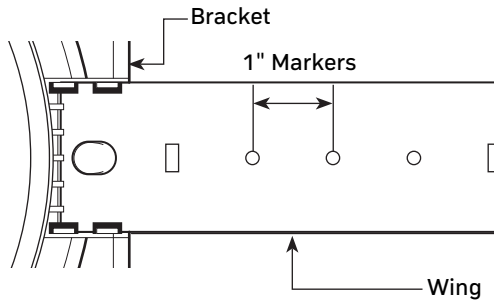
The in-ceiling speakers include an edge plate to secure if mounting the speaker against a joist.



The in-wall speakers require four points of connection to provide proper support. Two bracket wings are included and must be cut into four segments using tin snips. Connect the four wing segments to the bracket and secure to studs.



- Use the 1" markers as a placement guide for aligning the brackets. Drive a screw through the metal wings to secure into the desired position.



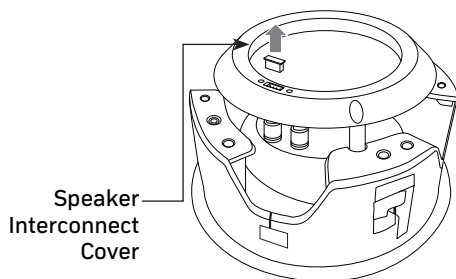
- Secure wiring within reach of the bracket for easy access.



## INSTALL

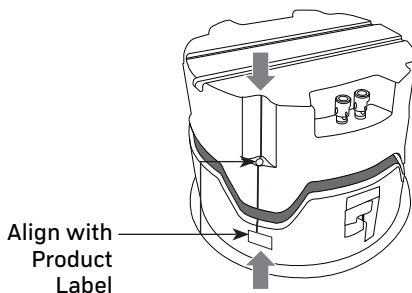
### Rear Enclosures (For Signature Speakers Only)

1. Remove the speaker interconnect cover.



2. Attach the speaker to the appropriate enclosure before mounting.

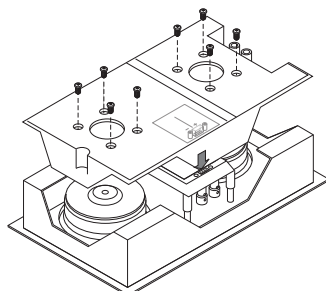
3. Use the embossed guide to align the enclosure with the product label.



4. Secure enclosure to speaker using the screws provided.

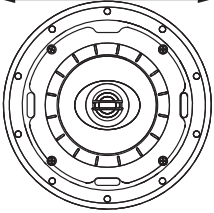
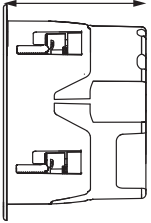
**Note:** In-wall models include additional screws around the magnet of the speaker.

5. Connect wires to the terminals on top of the enclosure.

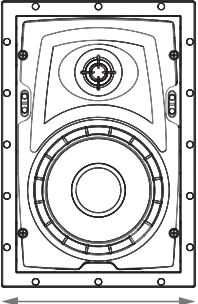
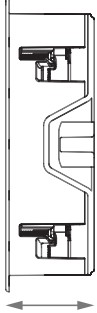




Refer to the following charts to verify the correct dimensions prior to cutting drywall.

Model	Cutout Dimension	Mounting Depth with Enclosure
		
IC-4	6.2"	5.9"
IC-6*	8.3"	6.2"
IC-8	9.7"	6.6"

\* For POINT-6 models, refer to IC-8 cutout dimensions.

Model	Cutout Dimension	Mounting Depth with Enclosure
		
IW-6	11.7" x 7.6"	3.8"
IW-8	13.7" x 9.0"	3.8"
LCR	14.4" x 7.6"	3.8"



## POST-INSTALL

### Grille Options

See the chart below for available grille options.

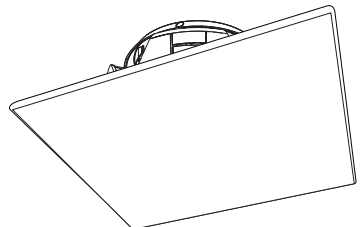
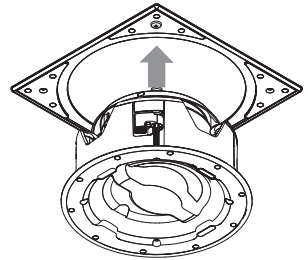
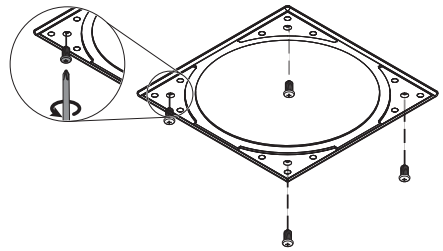
Speaker	In-Ceiling		In-Wall	
	Thin Bezel	Bezel-less	Thin Bezel	Bezel-less
Round	✓	✓		
Rectangular			✓	✓
Square	✓	✓		

### Install

For round in-ceiling and rectangular in-wall grilles, simply attach onto the speaker.

Follow the steps below to attach square grilles.

1. Use four #8 Phillips screws (not included) to mount the adapter plate to the desired area in the ceiling.
2. Fit the speaker over the adapter plate.
3. Attach the grille to the adapter plate.



## **WARRANTY**

### **Lifetime Limited Warranty**

Episode® Accessories have a Lifetime Limited Warranty. This warranty includes parts and labor repairs on all components found to be defective in material or workmanship under normal conditions of use. This warranty shall not apply to products that have been abused, modified or disassembled. Products to be repaired under this warranty must be returned to a designated service center with an assigned return authorization (RA) number. Contact technical support at [support@episodeaudio.com](mailto:support@episodeaudio.com) for an RA number.

## **CONTACTING TECHNICAL SUPPORT**

866.838.5052

[support@episodeaudio.com](mailto:support@episodeaudio.com)



© 2015 Episode®  
Rev: 151028-1505