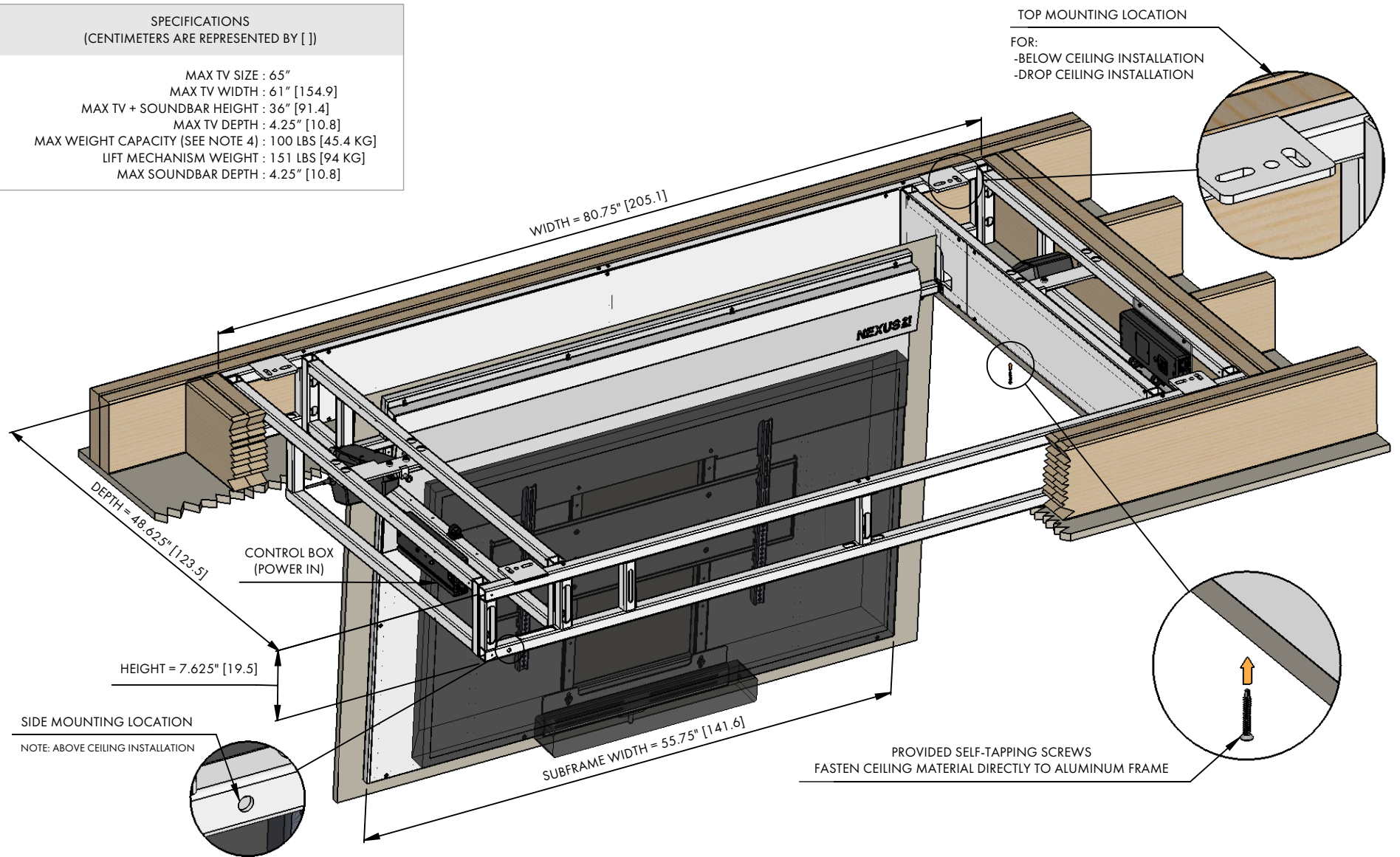


MODEL CL-65+ DIAGRAM FRAMING DIMENSIONS

(SEE PAGE 2 FOR CEILING DIMENSIONS)

SPECIFICATIONS (CENTIMETERS ARE REPRESENTED BY [])	
MAX TV SIZE :	65"
MAX TV WIDTH :	61" [154.9]
MAX TV + SOUNDBAR HEIGHT :	36" [91.4]
MAX TV DEPTH :	4.25" [10.8]
MAX WEIGHT CAPACITY (SEE NOTE 4) :	100 LBS [45.4 KG]
LIFT MECHANISM WEIGHT :	1.51 LBS [94 KG]
MAX SOUNDBAR DEPTH :	4.25" [10.8]



NOTES:

1. NEXUS 21 REQUIRES THIS INSTALLATION BE COMPLETED BY A LICENSED CONTRACTOR AND ELECTRICIAN
2. WHEN DETERMINING TV HEIGHT, ALWAYS USE MANUFACTURER SUPPLIED "TV WITHOUT STAND" HEIGHT
3. LIFT MECHANISM IS WHITE POWDERCOATED ALUMINUM. COLORS IN DIAGRAM ARE FOR CLARITY ONLY
4. THE COMBINED WEIGHT OF TV, SOUNDBAR, FINISHING MATERIAL, AND ANY ADDITIONAL HARDWARE MUST NOT EXCEED 100LBS [45.4 KG]

NEXUS 21

COPYRIGHT 2022 - ALL RIGHTS RESERVED
UPDATED 06/22/22

MODEL CL-65+ DIAGRAM CEILING DIMENSIONS

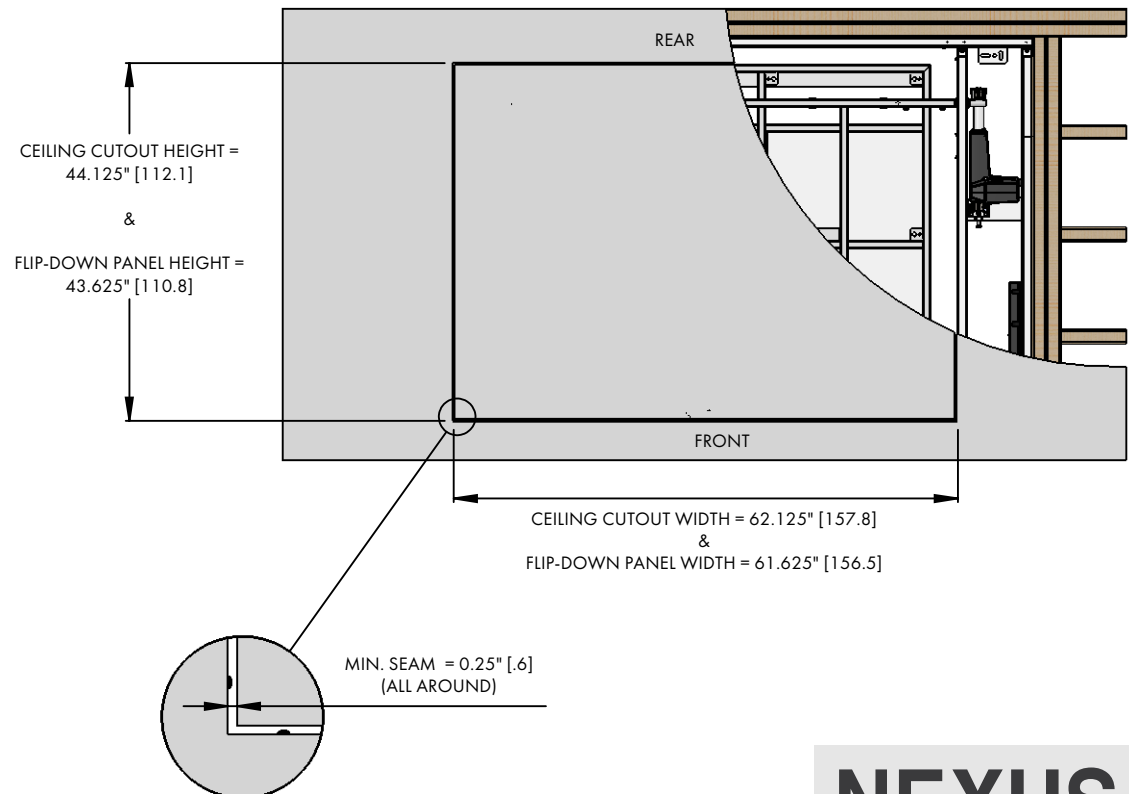
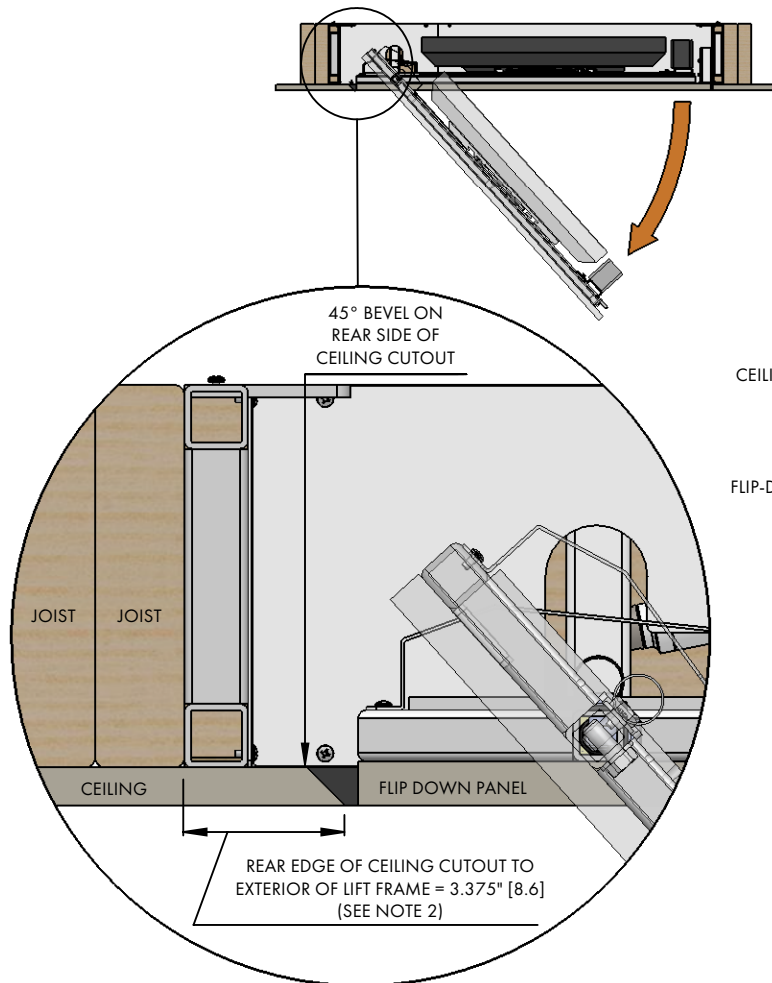
(SEE PAGE 1 FOR FRAMING DIMENSIONS)

CEILING CUTOUT DIMENSIONS

WIDTH : 62.125" [157.8]
HEIGHT : 44.125" [112.1]

FLIP-DOWN PANEL DIMENSIONS

MAX WIDTH : 61.625" [156.5]
MAX HEIGHT : 43.625" [110.8]



NOTES:

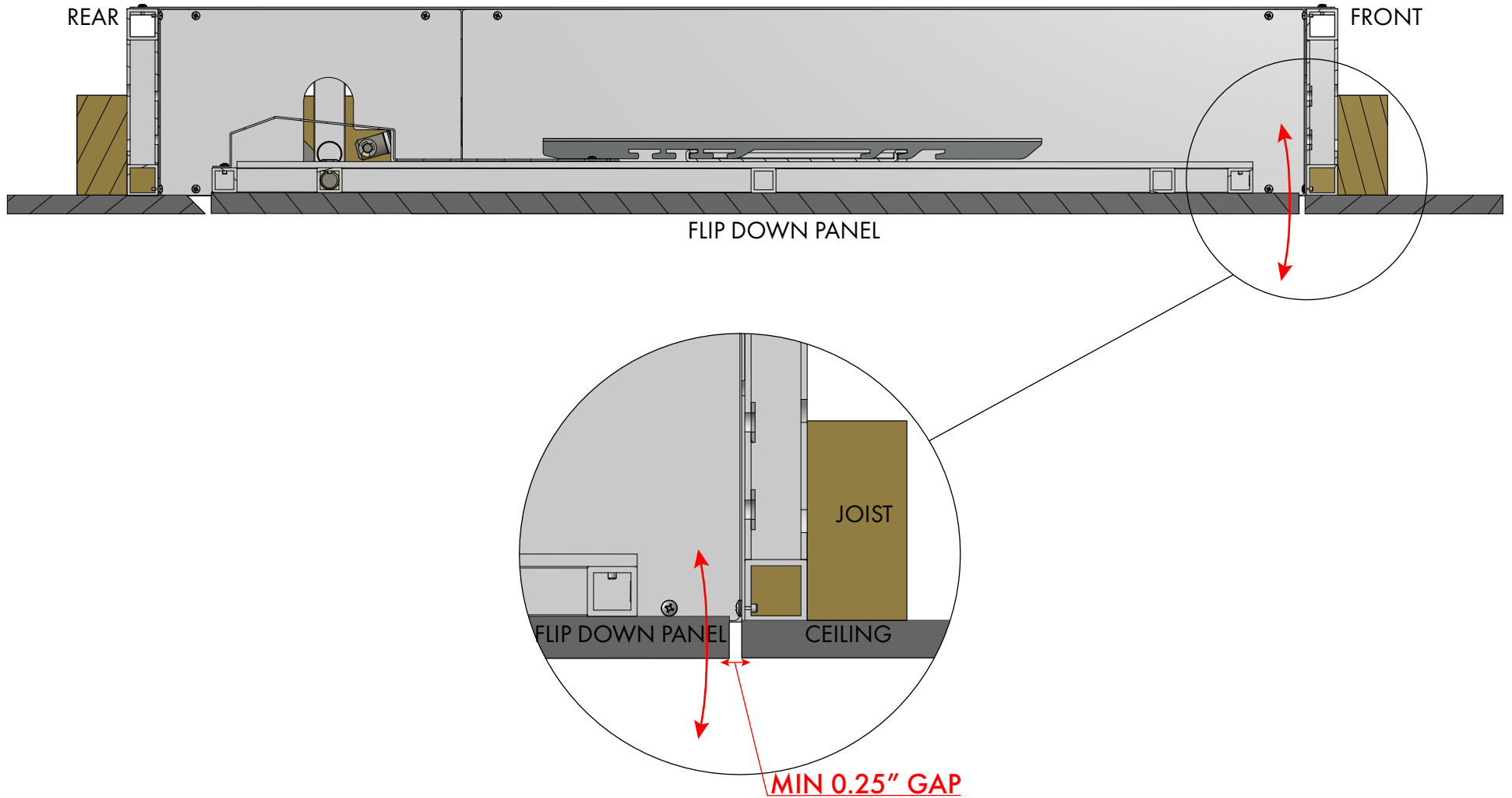
1. SUGGESTED FLIP DOWN PANEL MATERIAL: MDF ULTRALIGHT
2. REAR EDGE OF FRAME CANNOT BE RECESSED INTO THE WALL BEHIND IT; FRAME MUST BE SPACED AWAY FROM OR FLUSH WITH THE SURFACE OF THE WALL MATERIAL.
3. LIFT MUST BE MOUNTED ON A LEVEL CEILING. IT IS NOT COMPATIBLE WITH ANGLED OR PITCHED CEILINGS.

NEXUS₂₁

COPYRIGHT 2022 - ALL RIGHTS RESERVED
UPDATED 06/22/22

MODEL CL-65+ DIAGRAM FLIP DOWN PANEL

(SEE PAGE 2 FOR CEILING DIMENSIONS)



CEILING PANEL MUST BE ABLE TO RAISE INTO FRAME WITHOUT OBSTRUCTION

NOTES:

1. THE CEILING PANEL MUST BE ABLE TO RAISE INTO THE FRAME WITHOUT OBSTRUCTION
2. MANUALLY STOPPING THE FLIP DOWN PANEL WILL CAUSE DAMAGE TO THE LIFT

NEXUS₂₁

COPYRIGHT 2022 - ALL RIGHTS RESERVED
UPDATED 06/22/22