



engineered by
Snap

SM-RBX-14-BKT

Strong VersaBox™ Pre-Construction Bracket

Overview

Thank you for purchasing a great product from Strong™. We appreciate your purchase and are committed to providing the highest quality products possible. The Strong VersaBox™ Pre-Construction Bracket, SM-RBX-14-BKT, is designed to allow pre-installation of the Strong In-Wall VersaBox into ceilings and walls before drywall is installed.

Recommended for Installation

Tools

- #2 Phillips Screwdriver
- Tape Measure
- Level

Hardware (Required)

- Drywall screws or equivalent to fasten bracket to studs
- Washers

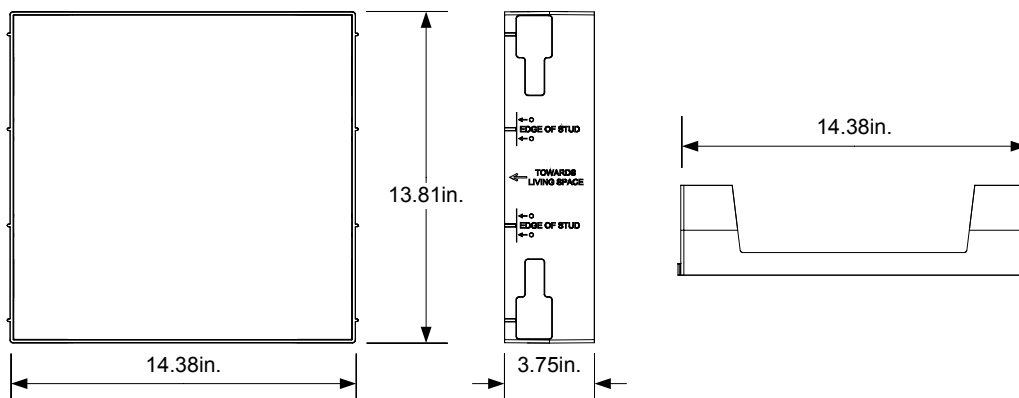
Package Contents

- (1) SM-RBX-14-BKT
- (1) Installation Manual

Important Instructions and Considerations for Installation

- Read and follow all instructions.
- Before beginning installation, carefully plan locations, accounting for potential electrical, ductwork, plumbing or other obstacles that may interfere with installation of the box, equipment, or wiring.
- Contact a suitable contractor if you are unsure of how to best install.

Dimensions



Warranty



Limited Lifetime Warranty

All Strong back-boxes and brackets have a Lifetime Limited Warranty. This warranty includes parts and labor repairs on all components found to be defective in material or workmanship under normal conditions of use. This warranty shall not apply to products which have been abused, modified or disassembled. Products to be repaired under this warranty must be returned to SnapAV or a designated service center with prior notification and an assigned return authorization number (RA).

Contacting Technical Support

Phone: (866) 838-5052

Email: Techsupport@snapav.com

(See other side for installation instructions)

New Work Installation Instructions

The SM-RBX-14-BKT Pre-Construction Bracket is designed to prepare a location for the Strong VersaBox™ in new work applications before drywall is hung on the studs.

Note: Determine what thickness the drywall will be before installing the pre-construction bracket. This dimension is needed for step 2 and 3 below to ensure the SM-RBX-14-BKT can be secured properly in step 7.

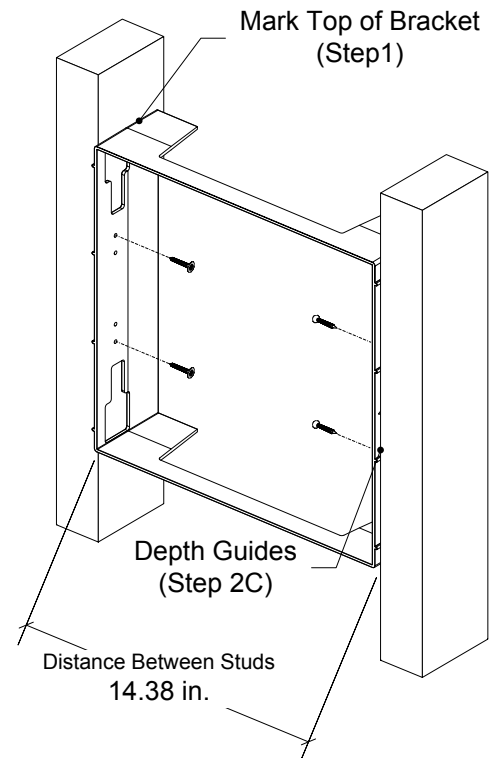
Bracket Installation (before drywall is installed)

1. Mark the desired height of the top of the bracket on both studs it will be attached to.
2. Test fit the bracket between the stud bays, checking for the following things:
 - A. Make sure there is enough space above and below the opening for wire routing, and that any pre-installed wiring is capable of being pulled into the box location when final installation takes place.
 - B. If the stud bay is wider than 16" on center, use washers or shims on one or both sides between the bracket and the studs to fill in the gap. Determine the spacing required for the sides of the bracket to eliminate any possibility of warping of the sides.
 - C. Take note of the drywall thickness that will be used. The SM-RBX-14-BKT features ½" depth guides on the vertical sides to allow for easy depth setting for most applications.

If the drywall will be thicker than ½", make sure to install the bracket so that it protrudes farther out from the stud as required.

3. Mount the bracket between the studs at the correct depth using standard drywall screws.

Note: The bracket sides must not be warped after the bracket is attached to the studs. If the bracket is warped after installation, remove it and add spacers on one or both sides as needed to correct the issue.



Strong VersaBox™ Installation (after drywall is installed)

4. Remove the center support plate from the VersaBox. The hinge clips may be left installed.
5. Open any knockouts in the VersaBox that will be used for wiring or electrical. See the In-Wall VersaBox manual for details on using the knockouts.
6. Pull the wires out of the wall opening and pull them into the desired openings of the VersaBox.
7. Insert the box into the opening left where the bracket is. Use standard drywall screws to secure the box to the studs on each side of the enclosure as illustrated.

See the documentation included with the SM-RBX-14 In-Wall VersaBox or go to the SM-RBX-14 product page at www.SnapAV.com for tips and instructions to install equipment into the VersaBox.

