



Triad Speakers Warranty Information

For your convenience, we have included space below for you to record your amplifier model and serial number, purchase date, dealer's name, and phone number. You will need the following information in the event your amplifier needs servicing. Please keep this manual and the sales receipt in a safe place.

Model: _____ Serial #: _____

Dealer Name: _____

Purchase Date: _____ Phone #: _____

Triad North American Warranty

Triad products are warranted to be free from defects in materials and workmanship for the period stated below when operated under normal use:

Amplifier: Warranty three (3) years • Loudspeaker: Warranty ten (10) years

This limited warranty period begins on the date of purchase. The limited warranty period begins on the date of purchase. This limited warranty is extended only to Triad products and is expressly in lieu of other warranties expressed or implied. The warranty is extended only to the original purchaser and is not transferable. Warranty covers only products sold in the United States by authorized Triad Dealers.

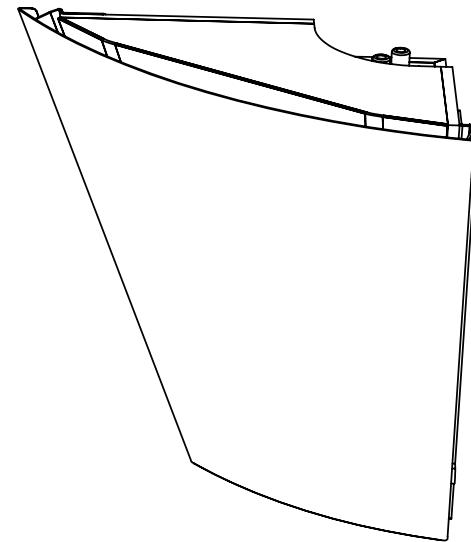
Should any defect in materials or workmanship occur within the limited warranty period, please contact Triad Service at 1-877-264-6315 to obtain a Return Authorization (RA) number. The product must be returned to Triad Speakers prepaid, with proof and date of purchase and in original packaging. If you do not have original packaging, you may purchase packaging from your dealer or Triad Service. The RA number must be clearly visible on the outside of the box.

Transit damage is not covered by this limited warranty.

Triad Speakers, Incorporated

15835 NE Cameron Blvd. • Portland, Oregon 97230
503.256.2600 Sales • 877.264.6315 Toll Free Service
www.triadspeakers.com
Part #905-6501 Rev 0

TRIAD
InCorner Bronze Satellite

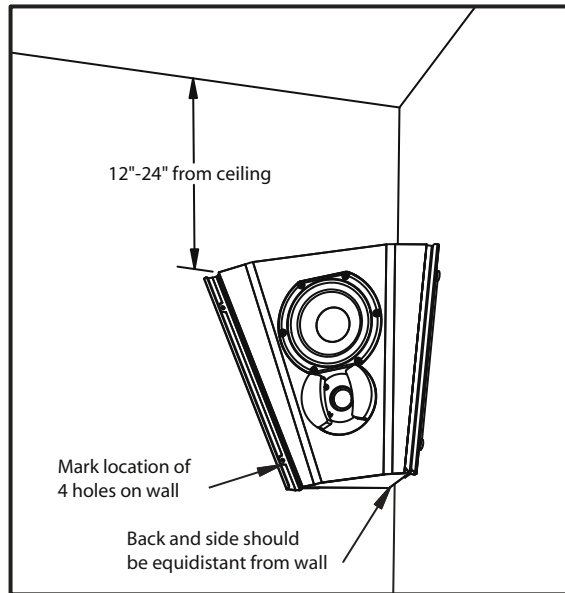


Engineered In The USA

Triad Speakers, Incorporated • Portland, Oregon
www.triadspeakers.com

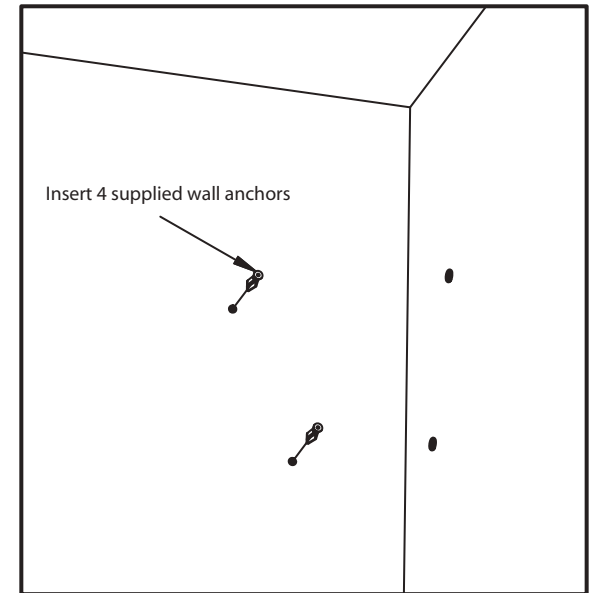
Attaching the Speaker to the wall

- ① Mark hole placement using speaker as a guide.



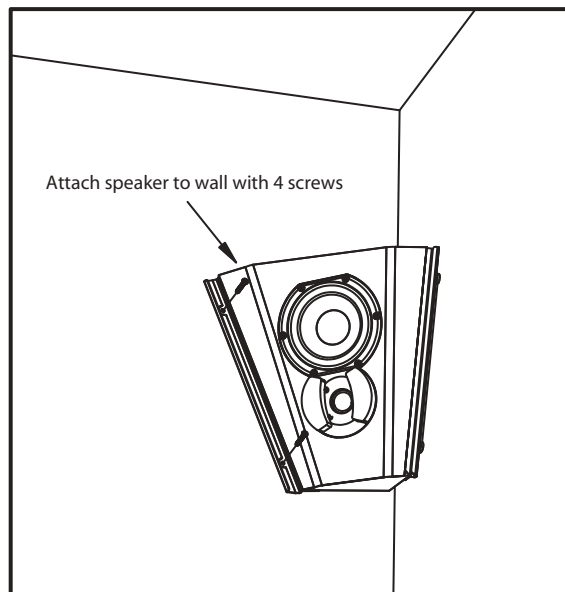
- ② Drill 4 marked holes using a 5/16" drill bit.

- ③ Install wall anchors as needed.



- ④ Attach speaker to wall.

There is sufficient room behind the speaker (5/16") on both sides to slide heavy cable wiring up, to connect to the terminal cups on top.



- ⑤ Snap on grill.

